



US008536613B2

(12) **United States Patent**  
**Chen et al.**

(10) **Patent No.:** **US 8,536,613 B2**  
(45) **Date of Patent:** **Sep. 17, 2013**

(54) **HETEROSTRUCTURE CONTAINING IC AND LED AND METHOD FOR FABRICATING THE SAME**

2007/0111387 A1\* 5/2007 Oi ..... 438/108  
2008/0191632 A1 8/2008 Lee  
2009/0091904 A1\* 4/2009 Hatanaka et al. .... 361/764  
2009/0266584 A1\* 10/2009 Tsumura et al. .... 174/252  
2011/0104836 A1 5/2011 Rode et al.

(75) Inventors: **Kuan-Neng Chen**, Hsinchu (TW);  
**Cheng-Ta Ko**, Hsinchu (TW);  
**Wei-Chung Lo**, Taipei (TW)

**FOREIGN PATENT DOCUMENTS**

(73) Assignee: **National Chiao Tung University**,  
Hsinchu (TW)

JP H06-334217 A 12/1994  
JP 7-131076 A 5/1995  
JP 2001-184918 A 7/2001  
JP 2003-101076 A 4/2003  
JP 2005-051255 A 2/2005  
JP 2006-344971 A 12/2006  
JP 2008-112030 A 5/2008  
JP 2009-135543 A 6/2009  
JP 2010-263050 A 11/2010  
JP 2011-525708 A 9/2011  
KR 10-0634307 B1 10/2006  
KR 10-2011-0046122 A 5/2011

(\* ) Notice: Subject to any disclaimer, the term of this patent is extended or adjusted under 35 U.S.C. 154(b) by 0 days.

(21) Appl. No.: **13/224,607**

\* cited by examiner

(22) Filed: **Sep. 2, 2011**

(65) **Prior Publication Data**

*Primary Examiner* — Thao P. Le

US 2012/0313133 A1 Dec. 13, 2012

(74) *Attorney, Agent, or Firm* — Rosenberg, Klein & Lee

(30) **Foreign Application Priority Data**

Jun. 7, 2011 (TW) ..... 100119755 A

(57) **ABSTRACT**

(51) **Int. Cl.**  
**H01L 33/62** (2010.01)

A heterostructure contains an IC and an LED. An IC and an LED are initially provided. The IC has at least one first electric-conduction block and at least one first connection block. The IC electrically connects with the first electric-conduction block. The first face of the LED has at least one second electric-conduction block and at least one second connection block. The LED electrically connects to the second electric-conduction block. Subsequently, the first electric-conduction block and the first connection block are respectively joined to the second electric-conduction block and the second connection block. The first electric-conduction block is electrically connected with the second electric-conduction block and forms a heterostructure. The system simultaneously provides functions of heat radiation and electric communication for the IC and LED resulting in a high-density, multifunctional heterostructure.

(52) **U.S. Cl.**  
USPC ..... **257/99**; 438/23

(58) **Field of Classification Search**  
USPC ..... 257/99  
See application file for complete search history.

(56) **References Cited**

**U.S. PATENT DOCUMENTS**

4,750,026 A \* 6/1988 Kuninobu et al. .... 257/206  
6,097,419 A \* 8/2000 Morris et al. .... 347/237  
2003/0227020 A1\* 12/2003 Huang et al. .... 257/79  
2005/0023550 A1 2/2005 Eliashevich et al.  
2006/0281203 A1 12/2006 Epler et al.

**10 Claims, 7 Drawing Sheets**

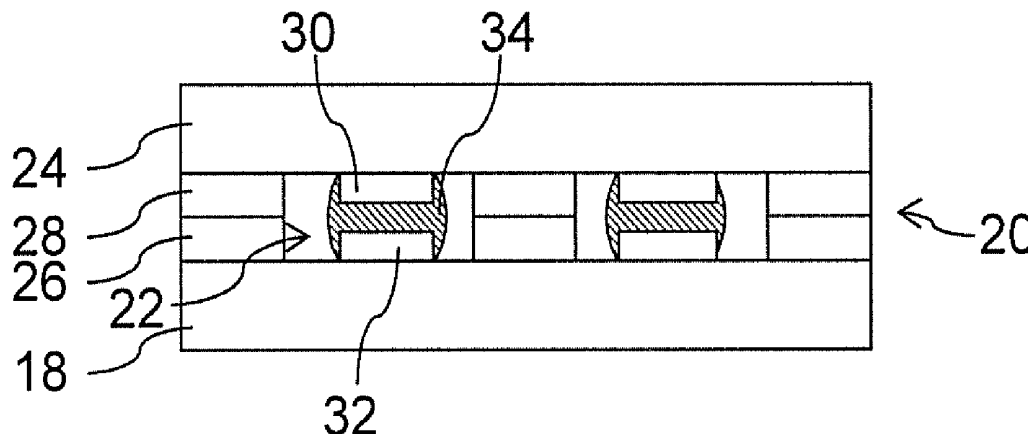




Fig.1(a) (prior art)

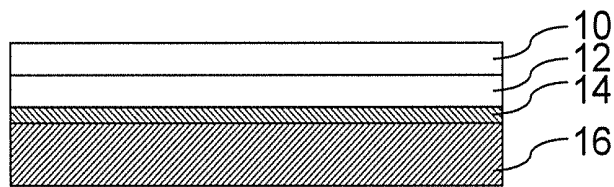


Fig.1(b) (prior art)

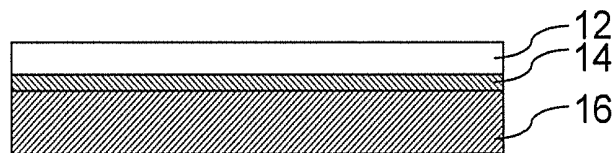


Fig.1(c) (prior art)

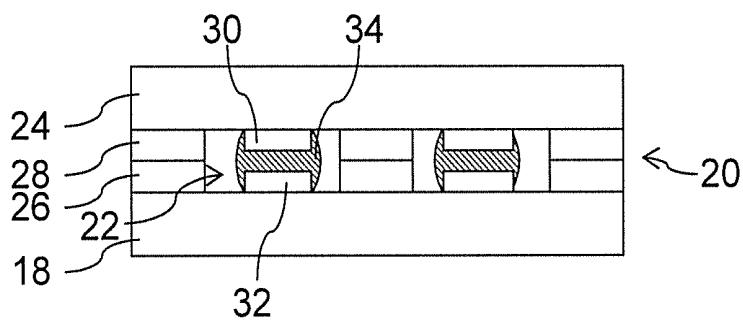


Fig.2

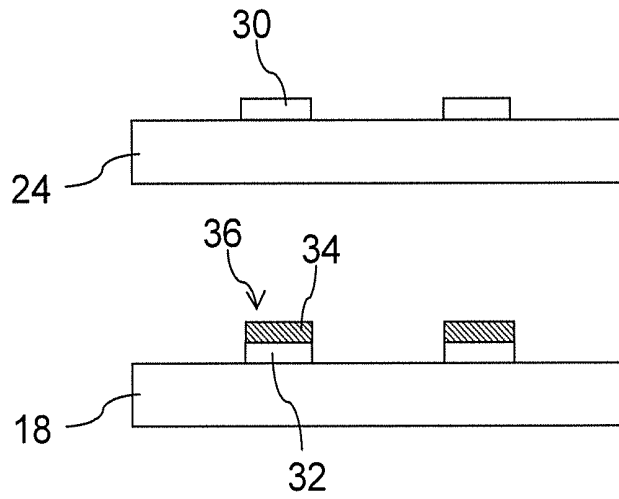


Fig.3(a)

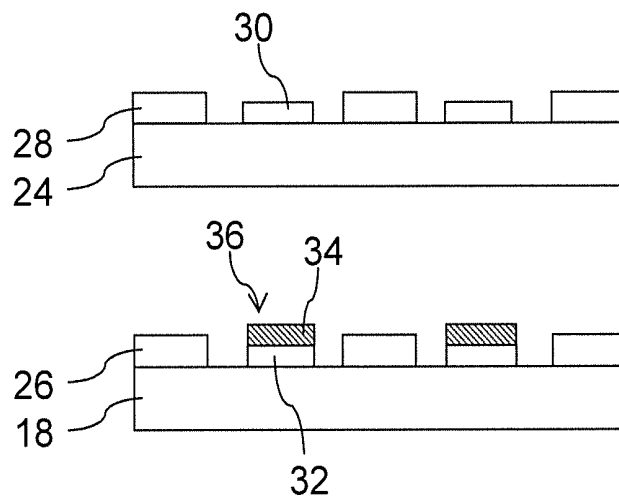


Fig.3(b)

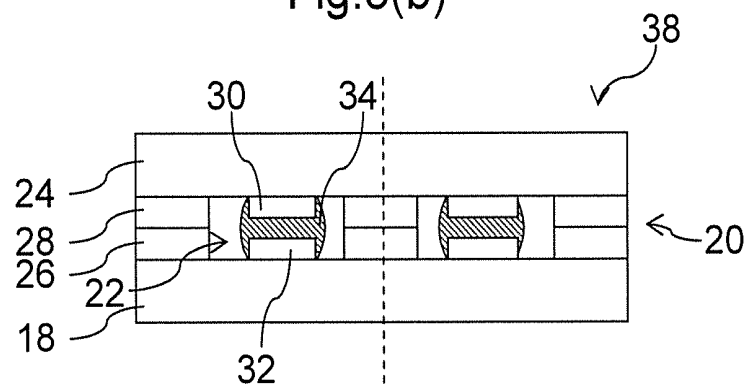


Fig.3(c)

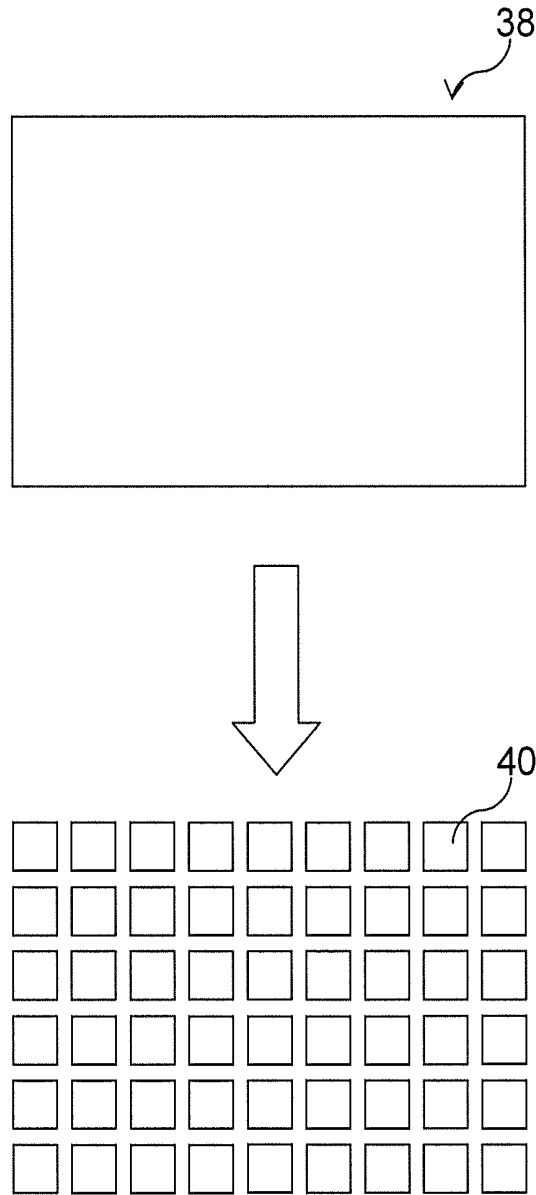


Fig.3(d)

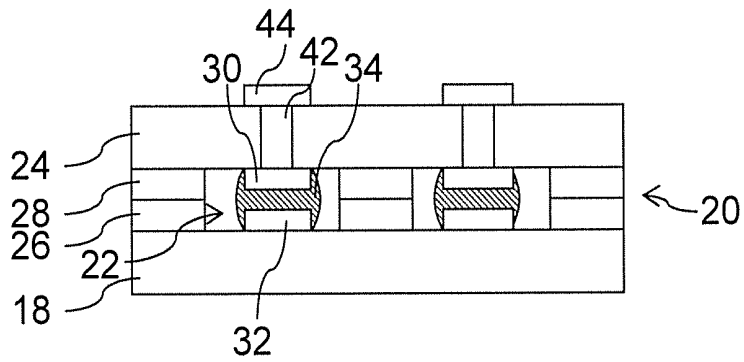


Fig.4

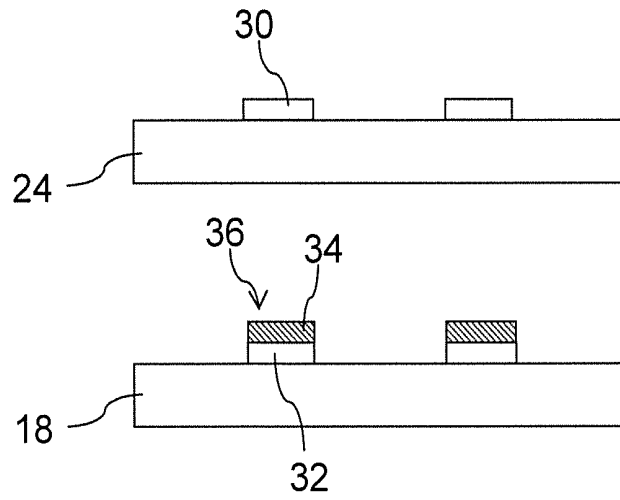


Fig.5(a)

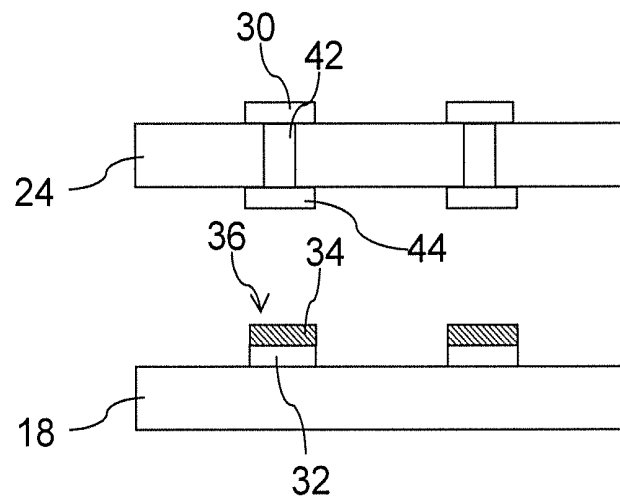


Fig.5(b)

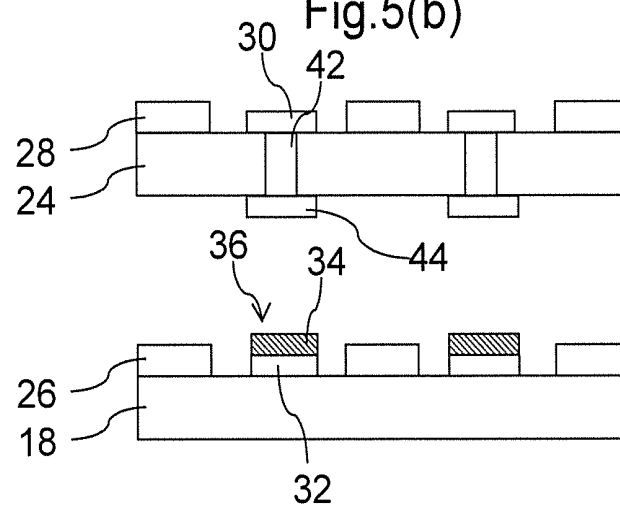


Fig.5(c)

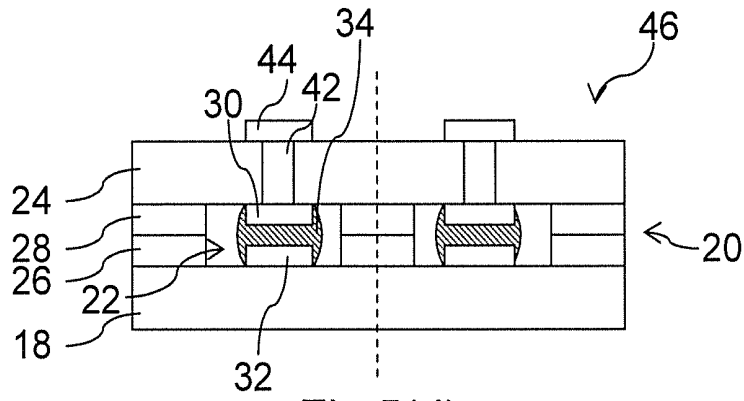


Fig.5(d)

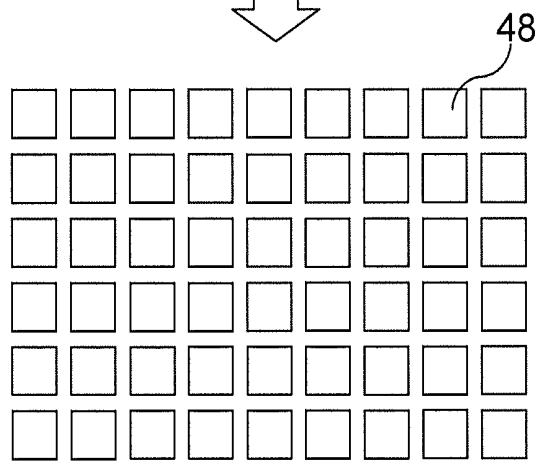
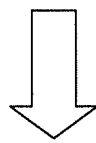
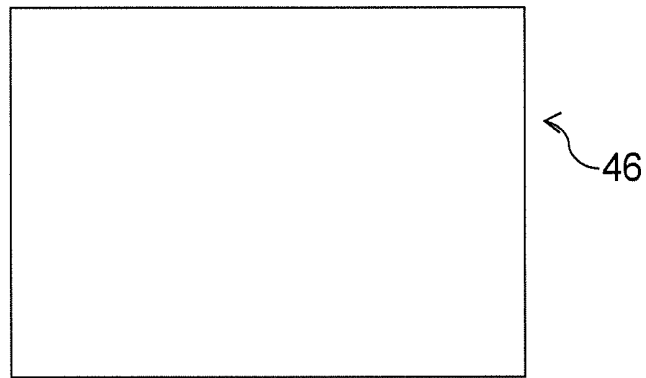


Fig.5(e)



# HETEROSTRUCTURE CONTAINING IC AND LED AND METHOD FOR FABRICATING THE SAME

## BACKGROUND OF THE INVENTION

### 1. Field of the Invention

The present invention relates to a heterostructure technology, particularly to a heterostructure containing IC and LED and a method for fabricating the same.

### 2. Description of the Related Art

LED (Light Emitting Diode) is a luminescent element, wherein electrons and holes recombine to release light. LEDs made of different materials emit monochromatic lights having different wavelength, which may be categorized into the visible lights and the invisible lights. Compared with the conventional bulb, LED has advantages of high power efficiency, high impact resistance and high blink speed. Therefore, LED has been an indispensable element for daily living.

Refer to FIGS. 1(a) to 1(c) sectional views showing conventional steps of fabricating LED with heat-radiating function. In FIG. 1(a), fabricate a LED 12 on a sapphire substrate 10 with a deposition method. Next, in FIG. 1(b), use a metal adhesive layer 14 to join the LED 12 with a high thermal conductivity silicon substrate 16. Next, in FIG. 1(c), remove the sapphire substrate 10. The objective of joining the LED 12 with the silicon substrate 16 is to use the high thermal conductivity of the silicon substrate 16 to assist in heat radiation. None electric connection exists between the LED 12 and the silicon substrate 16. The whole metal adhesive layer 14 is only to mechanically join the LED 12 and the silicon substrate 16. Thereby, heat generated by the LED 12 is transmitted downward to the silicon substrate 16 and effectively dissipated. The conventional technologies for fabricating LED are mainly high-temperature processes, which have high thermal budget and result in high thermal stress in LED. Besides, the conventional technologies cannot integrate LED with functional IC.

Accordingly, the present invention proposes a heterostructure containing IC and LED to overcome the abovementioned problems.

## SUMMARY OF THE INVENTION

The primary objective of the present invention is to provide a heterostructure containing IC and LED and a method for fabricating the same, wherein IC and LED are stacked and joined with a metal and a joining block in a hybrid bonding method, whereby is achieved the heat-radiating function of IC and LED and the electric communication between IC and LED, and whereby is accomplished the development and application of a high-density and multifunctional heterostructure.

To achieve the abovementioned objective, the present invention proposes a heterostructure containing IC and LED, which comprises an IC and an LED. The IC has at least one connection structure and at least one electric-conduction structure on the surface thereof, and the IC is electrically connected with the electric-conduction structure. The LED has a first face and a second face opposite to the first face. The first face of the LED is joined to and electrically connected with the electric-conduction structure, whereby the LED is integrated with the IC. Further, the LED may have an electric-conduction through-hole electrically connected with the electric-conduction structure. Besides, the second face of the LED may have an electric-conduction block electrically con-

nected with the electric-conduction through-hole, whereby other structures can be easily stacked on the LED.

The present invention also proposes a method for fabricating a heterostructure containing IC and LED, which comprises steps: providing an IC and an LED, wherein the IC has at least one first electric-conduction block and at least one first connection block on the surface thereof, and wherein the IC is electrically connected with the first electric-conduction block, and wherein the LED has a first face and a second face opposite to the first face, and wherein the first face has at least one second electric-conduction block and at least one second connection block, and wherein the LED is electrically connected with the second electric-conduction block; respectively joining the first electric-conduction block and the first connection block to the second electric-conduction block and the second connection block so as to join the IC to the LED, and electrically connecting the first electric-conduction block with the second electric-conduction block, whereby is formed a heterostructure where other structures are easily stacked on the LED. Besides, the LED may further have an electric-conduction through-hole electrically connected with the electric-conduction structure, and the second face has a third electric-conduction block electrically connected with the electric-conduction through-hole.

Below, the embodiments are described in detail in cooperation with the drawings to make easily understood the technical contents, characteristic and accomplishments of the present invention.

## BRIEF DESCRIPTION OF THE DRAWINGS

FIGS. 1(a) to 1(c) are sectional views showing conventional steps for fabricating LED with heat-radiating function;

FIG. 2 is a sectional view schematically a heterostructure containing IC and LED according to a first embodiment of the present invention;

FIGS. 3(a) to 3(c) are sectional views schematically showing steps of fabricating a heterostructure containing IC and LED according to the first embodiment of the present invention;

FIG. 3(d) is a diagram schematically showing a cutting step according to the first embodiment of the present invention;

FIG. 4 is a sectional view schematically a heterostructure containing IC and LED according to a second embodiment of the present invention;

FIGS. 5(a) to 5(d) are sectional views schematically showing steps of fabricating a heterostructure containing IC and LED according to the second embodiment of the present invention; and

FIG. 5(e) is a diagram schematically showing a cutting step according to the second embodiment of the present invention.

## DETAILED DESCRIPTION OF THE INVENTION

Refer to FIG. 2 for a heterostructure containing IC and LED according to a first embodiment of the present invention. The present invention comprises an IC (Integrated Circuit) 18 and an LED 24. The IC 18 has at least one connection structure 20 and at least one electric-conduction structure 22 on the surface thereof. The IC 18 is electrically connected with the electric-conduction structure 22. The LED 24 has a first face and a second face opposite to the first face. The first face of the LED 24 is on the connection structure 20 and the electric-conduction structure 22 so as to join to the IC 18 and electrically connect with the electric-conduction structure 22. The IC 18 is a multifunctional one and may function as a power source of the LED 24, a logic/control processor, a memory, a

CMOS (Complementary Metal Oxide Semiconductor) image sensor, an RF (Radio Frequency) IC, etc. Distinct from the conventional technology, the present invention replaces the silicon substrate with an IC. Thereby, the present invention realizes the heat radiation of the IC **18** and the LED **24** and the electric communication between the IC **18** and the LED **24**. Thus is accomplished the development and application of a high-density and multifunctional heterostructure.

The connection structure **20** further comprises a first connection block **26** and a second connection block **28**, which may comprise a polymeric material stable below a temperature of 250° C., such as an epoxy-based photoresist SU-8. The first connection block **26** is arranged on the surface of the IC **18**. The second connection block **28** is arranged on the first face of the LED **24** and joined to the first connection block **26**. The electric-conduction structure **22** further comprises a first electric-conduction block and a second electric-conduction block **30**, which comprise a metallic material. The first electric-conduction block is arranged on the surface of the IC **18** and electrically connected with the IC **18**. The second electric-conduction block **30** is arranged on the first face of the LED **24** and electrically connected with the LED **24**. The second electric-conduction block **30** is joined to and electrically connected with the first electric-conduction block. The first electric-conduction block includes a high-temperature metallic connection block **32** disposed on the surface of the IC and a low-temperature metallic connection block **34** joined to and electrically connected with the high-temperature metallic connection block **32** and the second electric-conduction block **30**. The low-temperature metallic connection block **34** may comprise a metallic material stable below a temperature of 250° C., such as tin or indium. In other words, the IC **18** and the LED **24** are joined by a metallic material and a polymeric material in a hybrid bonding way, wherein the metallic material and the polymeric material both function as the joint material but respectively implement electric communication and structural strengthening. Thereby, the present invention not only realizes the electric communication between the IC **18** and the LED **24** but also polymerically fills the micro-gap between the IC **18** and the LED **24**. Thus is improved the bonding strength of the IC **18** and the LED **24** and the reliability of the stacked element.

Below is described the method for fabricating the heterostructure containing IC and LED according to the first embodiment of the present invention. Refer to FIGS. **3(a)** to **3(d)** sectional views schematically showing steps of fabricating the heterostructure containing IC and LED according to the first embodiment of the present invention. Firstly, as shown in FIG. **3(a)**, form the high-temperature metallic connection block **32** on the surface of the IC **18** and electrically connect the high-temperature metallic connection block **32** with the IC **18**; form the low-temperature metallic connection block **34** on the high-temperature metallic connection block **32** and electrically connect the low-temperature metallic connection block **34** with the high-temperature metallic connection block **32**, whereby the high-temperature metallic connection block **32** and the low-temperature metallic connection block **34** form the first electric-conduction block **36**. At the same time, form the second electric-conduction block **30** on the first face of the LED **24** and electrically connect the second electric-conduction block **30** with the LED **24**. The high-temperature metallic connection block **32**, the low-temperature metallic connection block **34** and the second electric-conduction block **30** are fabricated with a photolithographic technology, an electroplating technology and an etching technology. Next, as shown in FIG. **3(b)**, respectively form the first connection block **26** and the second

connection block **28** on the surface of the IC **18** and the first face of the LED **24** with a photolithographic technology. A low-temperature process is more suitable to the LED **24**, and the connection material and the electric-conduction material also allow a low-temperature process. Therefore, as shown in FIG. **3(c)**, process the first and second connection blocks **26** and **28** and the first and second electric-conduction blocks **30** and **36** at a temperature of as low as 25-250° C. to make the first connection block **26** and the low-temperature metallic connection block **34** of the first electric-conduction block **36** respectively join with the second connection block **28** and the second electric-conduction block **30**, whereby is completed the joint of the IC **18** and the LED **24**, and whereby is completed the electric connection of the low-temperature metallic connection block **34** and the second electric-conduction block **30**. Thus is completed a low-temperature joined heterostructure **38**. Next, as shown in FIG. **3(d)**, perform a cutting process along the dotted line shown in FIG. **3(c)** to dice the heterostructure **38** containing the ICs **18** and the LEDs **24** into a plurality of heterostructure units **40**.

In the abovementioned steps, the step shown in FIG. **3(d)** can be omitted. In FIG. **3(a)**, the step to form the high-temperature metallic connection block **32** and the low-temperature metallic connection block **34** on the IC **18** can be replaced by a step of directly forming the first electric-conduction block **36** containing the high-temperature and low-temperature metallic connection blocks **32** and **34** on the IC **18**, wherein the high-temperature metallic connection block **32** must be interposed between the low-temperature metallic connection block **34** and the IC **18**. Further, the steps shown in FIG. **3(a)** and FIG. **3(b)** can be replaced by a single step, wherein is directly provided an IC **18** having at least one first electric-conduction block **36** and at least one first connection block **26** on the surface thereof and electrically connected with the first electric-conduction block **36**, and wherein is directly provided an LED **24** having at least one second electric-conduction block **30** and at least one second connection block **28** on the first face thereof and electrically connected with the second electric-conduction block **30**. The alternative step is also illustrated by FIG. **3(b)**. Then, undertake the step shown in FIG. **3(c)**.

Below is described a second embodiment of the present invention. Refer to FIG. **4**. The second embodiment is basically similar to the first embodiment. However, the second embodiment is different from the first embodiment in that the LED **24** has an electric-conduction through-hole **42** electrically connected with the second electric-conduction block **30** of the electric-conduction structure **22** and that at least one third electric-conduction block **44** comprising a metallic material is formed on the second face of the LED **24** and electrically connected with the electric-conduction through-hole **42**.

Below is described the method for fabricating the heterostructure containing IC and LED according to the second embodiment of the present invention. Refer to FIGS. **5(a)** to **5(e)**. Firstly, as shown in FIG. **5(a)**, form the high-temperature metallic connection block **32** on the surface of the IC **18** and electrically connect the high-temperature metallic connection block **32** with the IC **18**; form the low-temperature metallic connection block **34** on the high-temperature metallic connection block **32** and electrically connect the low-temperature metallic connection block **34** with the high-temperature metallic connection block **32**, whereby the high-temperature metallic connection block **32** and the low-temperature metallic connection block **34** form the first electric-conduction block **36**. At the same time, form the second electric-conduction block **30** on the first face of the

LED 24 and electrically connect the second electric-conduction block 30 with the LED 24. The high-temperature metallic connection block 32, the low-temperature metallic connection block 34 and the second electric-conduction block 30 are fabricated with a photolithographic technology, an electroplating technology and an etching technology. Next, as shown in FIG. 5(b), firstly form the electric-conduction through-hole 42 in the LED 24 and electrically connect the electric-conduction through-hole 42 with the second electric-conduction block 30. Next, use a photolithographic technology, an electroplating technology and an etching technology to form the third electric-conduction block 44 on the second face of the LED 24 and electrically connect the third electric-conduction block 44 with the electric-conduction through-hole 42. Thereby, the LED 24 can be easily installed, and other elements can be easily stacked up. Next, as shown in FIG. 5(c), respectively form the first and second connection blocks 26 and 28 on the surface of the IC 18 and the first face of the LED 24 with a photolithographic technology. Next, similarly to the first embodiment, process the first and second connection blocks 26 and 28 and the first and second electric-conduction blocks 30 and 36 at a temperature of as low as 25-250° C. to make the first connection block 26 and the low-temperature metallic connection block 34 of the first electric-conduction block 36 respectively join with the second connection block 28 and the second electric-conduction block 30, whereby is completed the joint of the IC 18 and the LED 24, and whereby is completed the electric connection of the low-temperature metallic connection block 34 and the second electric-conduction block 30, as shown in FIG. 5(d). Thus is completed a low-temperature joined heterostructure 46. Next, as shown in FIG. 5(e), perform a cutting process along the dotted line shown in FIG. 5(d) to dice the heterostructure 46 containing the ICs 18 and the LEDs 24 into a plurality of heterostructure units 48.

In the abovementioned steps, the step shown in FIG. 5(e) can be omitted. In FIG. 5(a), the step to form the high-temperature metallic connection block 32 and the low-temperature metallic connection block 34 on the IC 18 can be replaced by a step of directly forming the first electric-conduction block 36 containing the high-temperature and low-temperature metallic connection blocks 32 and 34 on the IC 18, wherein the high-temperature metallic connection block 32 must be interposed between the low-temperature metallic connection block 34 and the IC 18. Further, the steps shown in FIGS. 5(a)-5(c) can be replaced by a single step, wherein is directly provided an IC 18 having at least one first electric-conduction block 36 and at least one first connection block 26 on the surface thereof and electrically connected with the first electric-conduction block 36, and wherein is directly provided an LED 24 having at least one second electric-conduction block 30 and at least one second connection block 28 on the first face thereof and electrically connected with the second electric-conduction block 30. The alternative step is also illustrated by FIG. 5(c). Then, undertake the step shown in FIG. 5(d).

In conclusion, the heterostructure technology of the present invention not only provides a heat-radiation function for IC and LED but also provides an electric-communication function between IC and LED and thus can be used to realize a high-density and multifunctional heterostructure.

The embodiments described above are only to exemplify the present invention but not to limit the scope of the present invention. Any equivalent modification or variation according to the structure, characteristic or spirit disclosed in the present invention is to be also included within the scope of the present invention.

What is claimed is:

1. A heterostructure containing an integrated circuit (IC) and a light emitting diode (LED), comprising
  - an IC;
  - at least one connection structure arranged on a surface of said IC;
  - at least one electric-conduction structure arranged on said surface and electrically connected with said IC; and
  - an LED having a first face and a second face opposite to said first face, wherein said first face of said LED is positioned on said connection structure and said electric-conduction structure and joined with said IC, and wherein said LED is electrically connected with said electric-conduction structure;
- 15 wherein said electric-conduction structure further comprises:
  - a first electric-conduction block arranged on said surface and electrically connected with said IC; and
  - a second electric-conduction block arranged on said first face and electrically connected with said LED, wherein said second electric-conduction block is further joined to said first electric-conduction block and electrically connected with said first electric-conduction block; and
 wherein said first electric-conduction block further comprises:
  - 25 a high-temperature metallic connection block arranged on said first face and electrically connected with said IC; and
  - a low-temperature metallic connection block joined to said high-temperature metallic connection block and said second electric-conduction block and electrically connecting said high-temperature metallic connection block and said second electric-conduction block.
2. The heterostructure containing IC and LED according to claim 1, wherein said connection structure further comprises
  - 35 a first connection block arranged on said surface; and
  - a second connection block arranged on said first face and joined to said first connection block.
3. The heterostructure containing IC and LED according to claim 2, wherein said first connection block and said second connection block comprise an epoxy-based photoresist SU-8.
4. The heterostructure containing IC and LED according to claim 1, wherein said first electric-conduction block and said second electric-conduction block comprise a metallic material.
5. The heterostructure containing IC and LED according to claim 1, wherein said low-temperature metallic connection block comprises tin or indium.
6. The heterostructure containing IC and LED according to claim 1, wherein said LED further comprises at least one electric-conduction through-hole electrically connected with said electric-conduction structure, and wherein said second face has at least one third electric-conduction block electrically connected with said electric-conduction through-hole.
7. The heterostructure containing IC and LED according to claim 6, wherein said third electric-conduction block comprises a metallic material.
8. A heterostructure containing an integrated circuit (IC) and a light emitting diode (LED), comprising
  - 60 an IC;
  - at least one connection structure arranged on a surface of said IC;
  - at least one electric-conduction structure arranged on said surface and electrically connected with said IC; and
  - an LED having a first face and a second face opposite to said first face, wherein said first face of said LED is positioned on said connection structure and said electric-conduction structure and joined with said IC, and

wherein said LED is electrically connected with said electric-conduction structure;  
 wherein said connection structure further comprises  
 a first connection block arranged on said surface; and  
 a second connection block arranged on said first face and  
 joined to said first connection block; and  
 wherein said first connection block and said second connection block comprise an epoxy-based photoresist SU-8.

**9.** A heterostructure containing an integrated circuit (IC) and a light emitting diode (LED), comprising  
 an IC;  
 at least one connection structure arranged on a surface of said IC;  
 at least one electric-conduction structure arranged on said surface and electrically connected with said IC; and  
 an LED having a first face and a second face opposite to said first face, wherein said first face of said LED is positioned on said connection structure and said electric-conduction structure and joined with said IC, and wherein said LED is electrically connected with said electric-conduction structure; and

wherein said LED further comprises at least one electric-conduction through-hole electrically connected with said electric-conduction structure, and wherein said second face has at least one third electric-conduction block electrically connected with said electric-conduction through-hole.

**10.** The heterostructure containing IC and LED according to claim **9**, wherein said third electric-conduction block comprises a metallic material.

\* \* \* \* \*