



US 20120301564A1

(19) **United States**

(12) **Patent Application Publication**
FAN et al.

(10) **Pub. No.: US 2012/0301564 A1**
(43) **Pub. Date: Nov. 29, 2012**

(54) **MICROFLUIDIC SYSTEM AND METHOD FOR CREATING AN ENCAPSULATED DROPLET WITH A REMOVABLE SHELL**

Publication Classification

(51) **Int. Cl.**
B01J 13/02 (2006.01)
(52) **U.S. Cl.** 425/5

(75) **Inventors:** SHIH-KANG FAN, HSINCHU (TW); YAO-WEN HSU, TAIPEI COUNTY (TW); CHIUN-HSUN CHEN, HSINCHU CITY (TW)

(57) **ABSTRACT**

(73) **Assignee:** NATIONAL CHIAO TUNG UNIVERSITY, HSINCHU (TW)

A microfluidic system for creating encapsulated droplets whose shells can be further removed comprises: two electrode plates and a spacing structure disposed between the two electrode plates. One of the electrode plates has three reservoir electrodes and a plurality of channel electrodes. The three electrodes are respectively used for accommodating a shell liquid, a core liquid, and a removing liquid which is able to remove the shell liquid. The channel electrodes are used for communicating droplets among the three reservoir electrodes. Via these arrangements, the microfluidic system can create a quantitative shell droplet and a quantitative core droplet, and then merge the shell and core droplets to form an encapsulated droplet. Moreover, the shell of the encapsulated droplet can be removed by mixing it with the removing liquid. This invention is further provided with a method for creating an encapsulated droplet with a removable shell.

(21) **Appl. No.:** 13/567,158

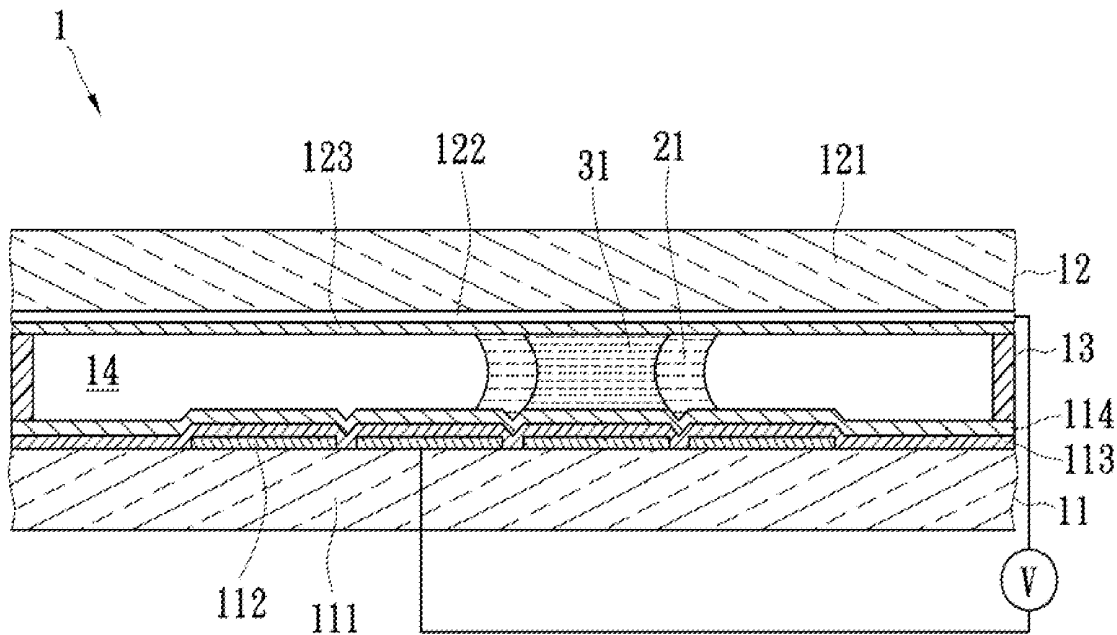
(22) **Filed:** Aug. 6, 2012

Related U.S. Application Data

(62) Division of application No. 12/815,580, filed on Jun. 15, 2010, now Pat. No. 8,287,708.

(30) **Foreign Application Priority Data**

Dec. 18, 2009 (TW) 98143595



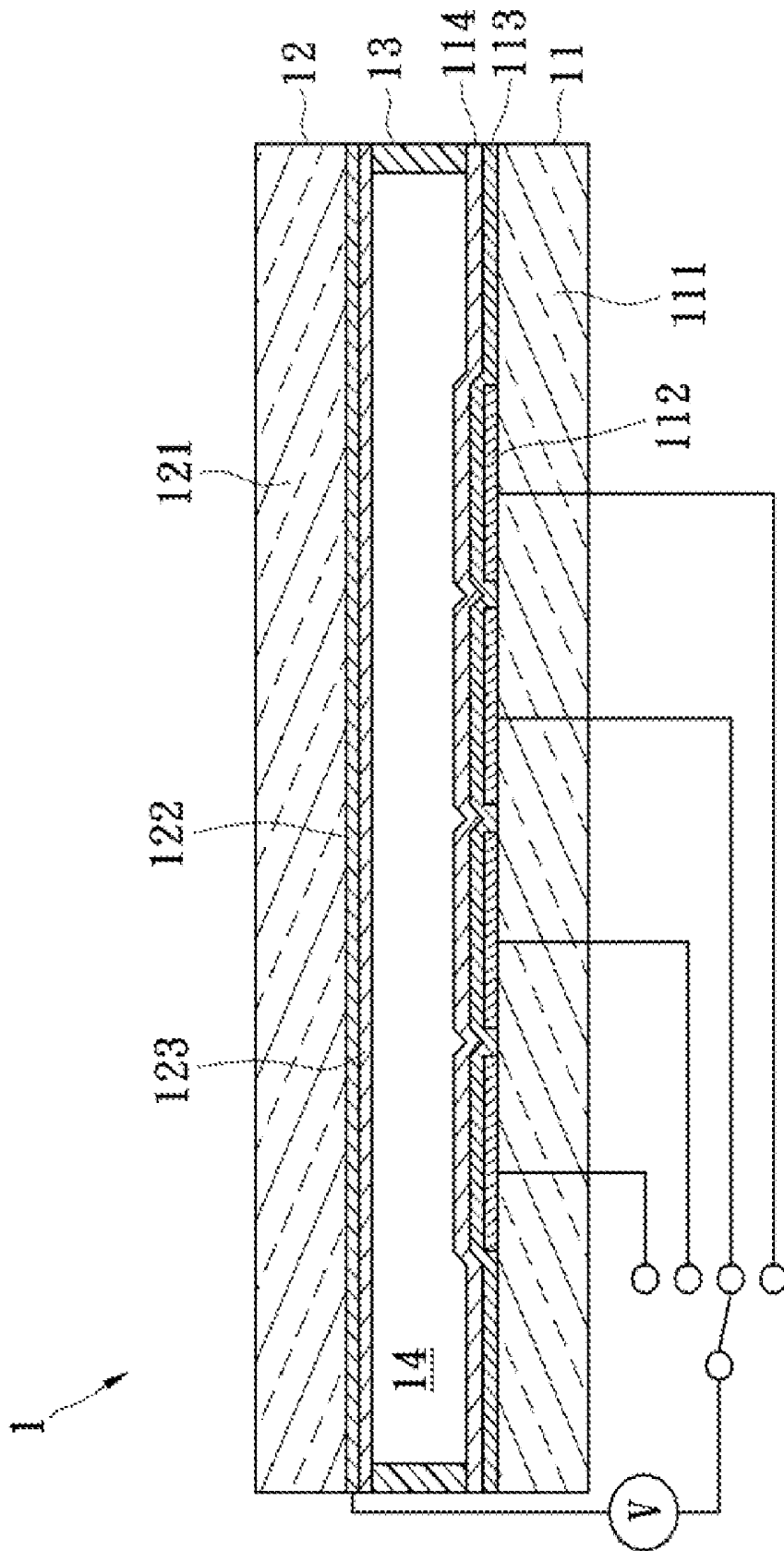


FIG. 1

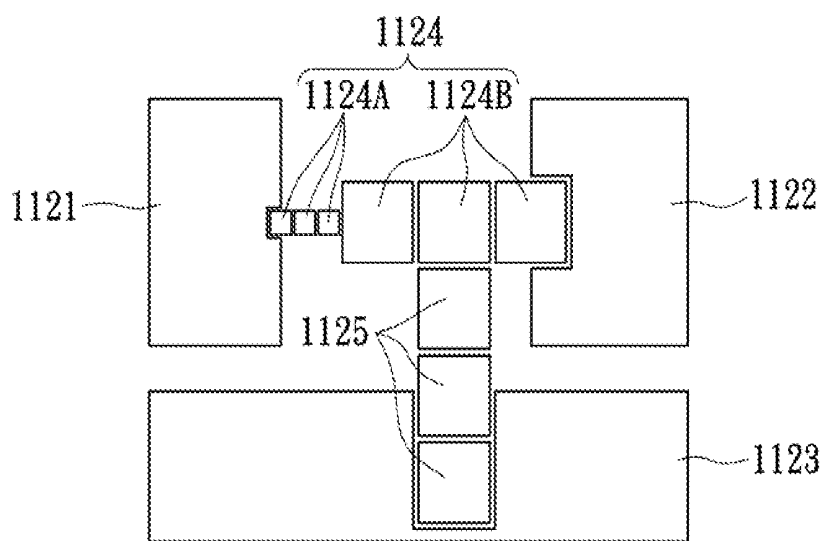


FIG. 2

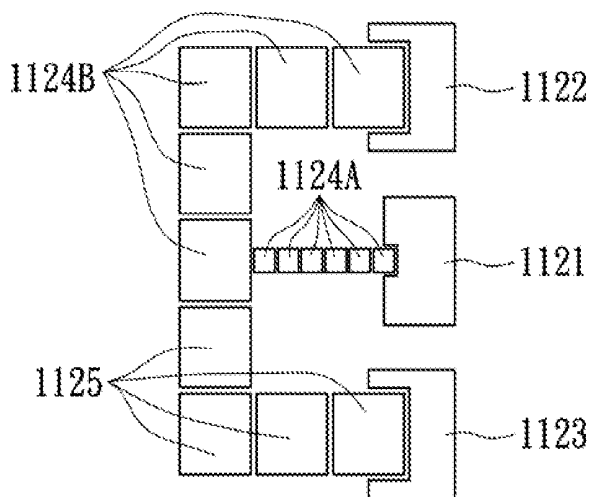


FIG. 3

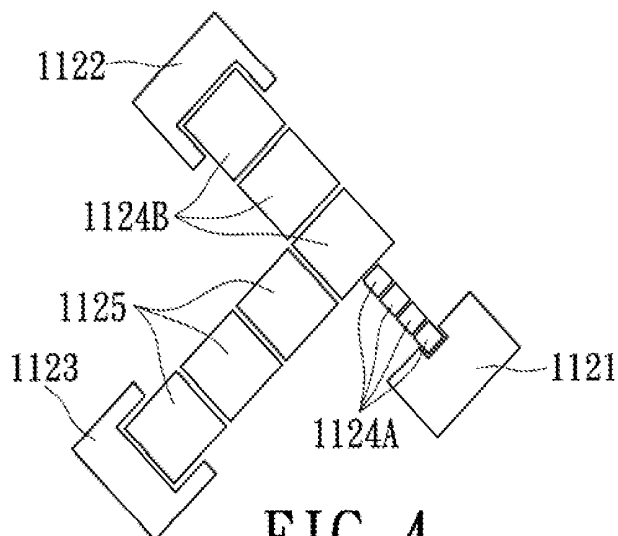


FIG. 4

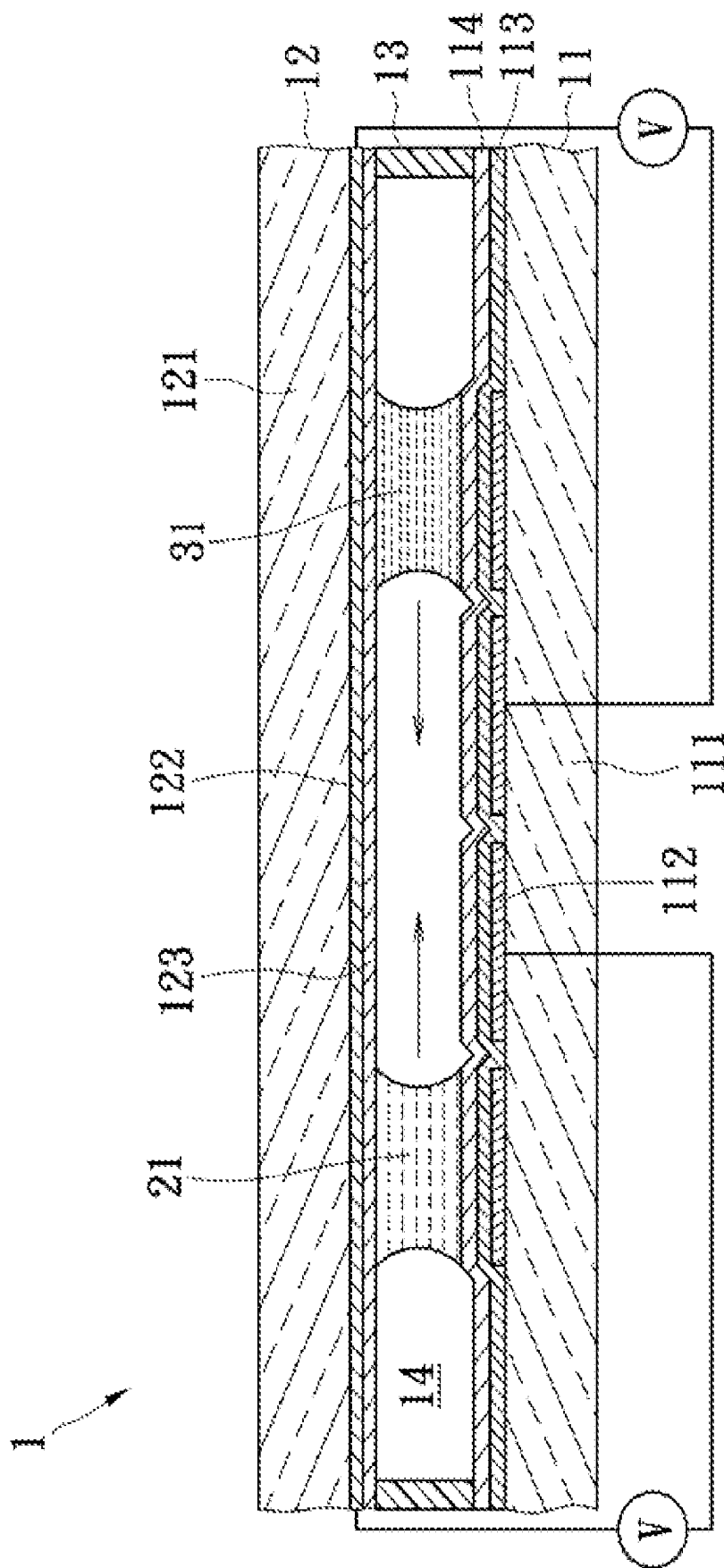


FIG. 5

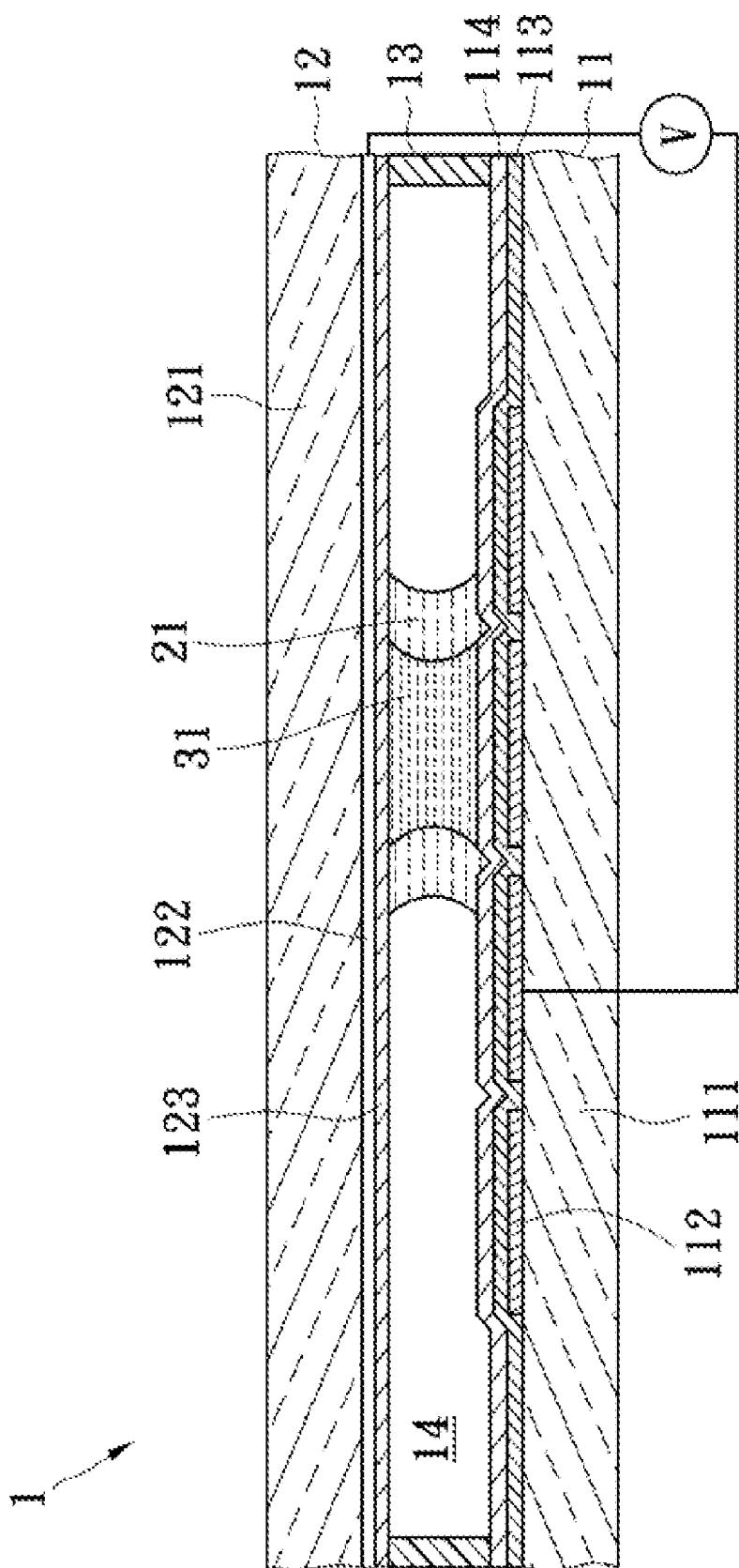


FIG. 6

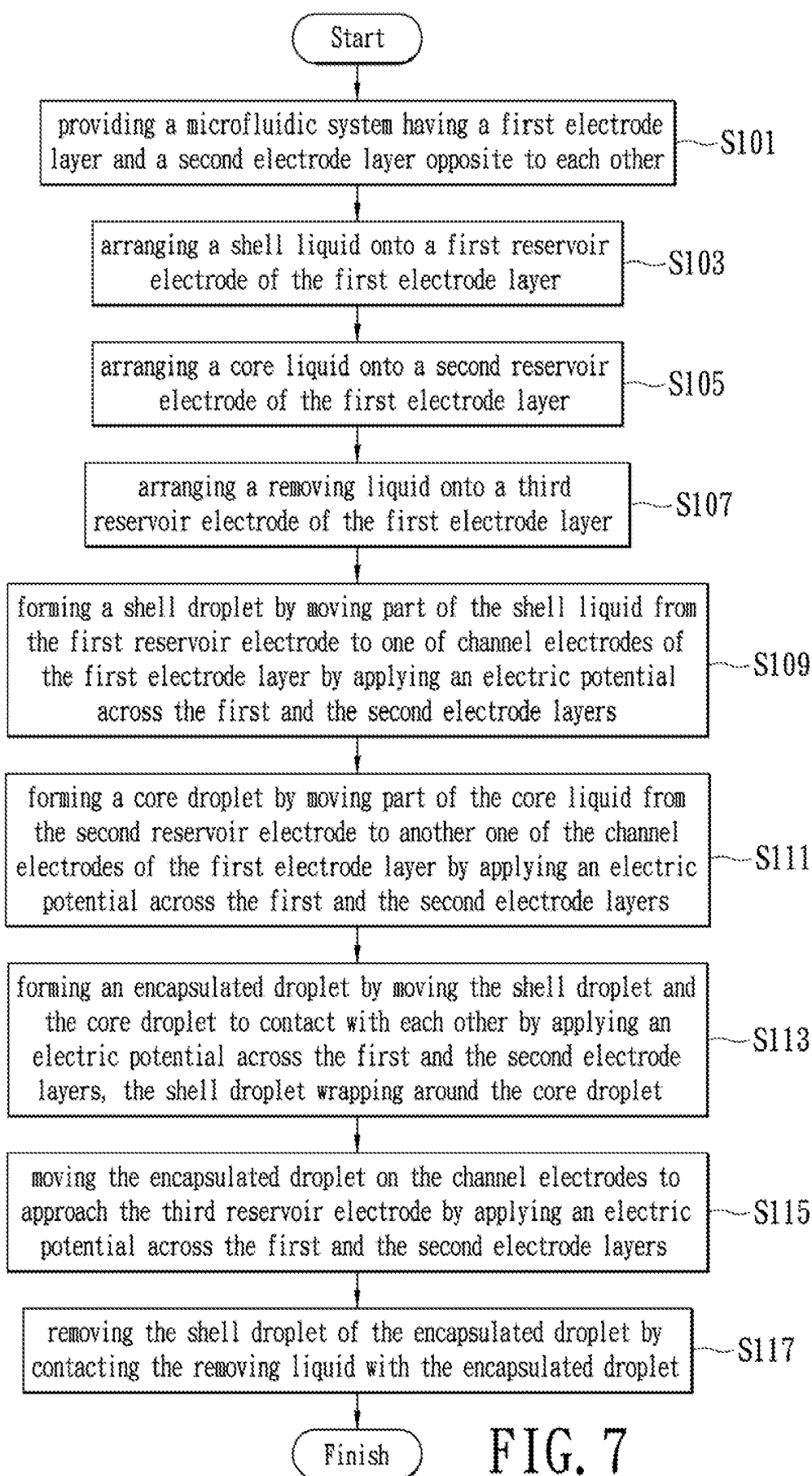


FIG. 7

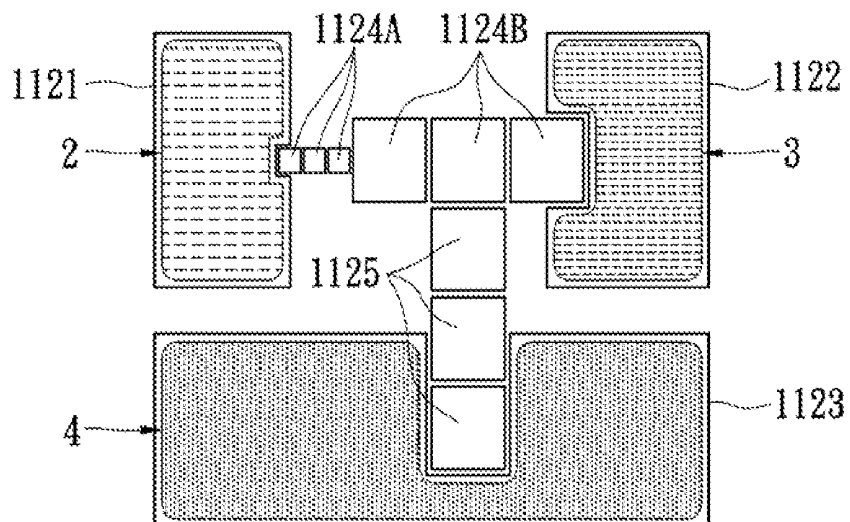


FIG. 8A

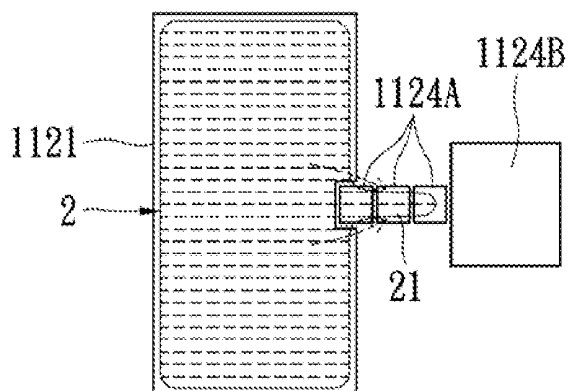


FIG. 8B

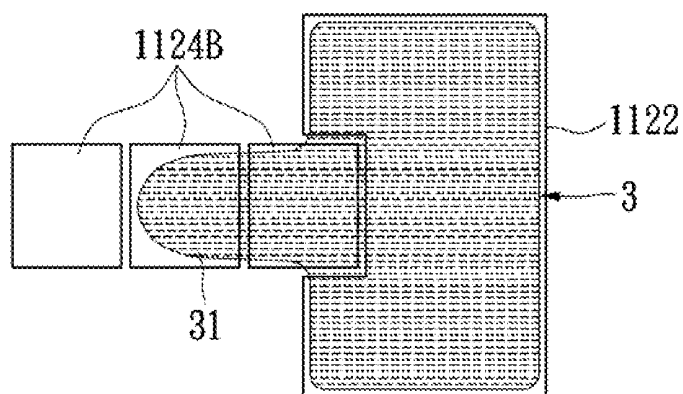


FIG. 8C

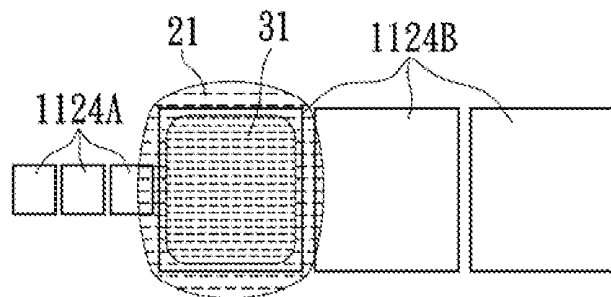


FIG. 8D

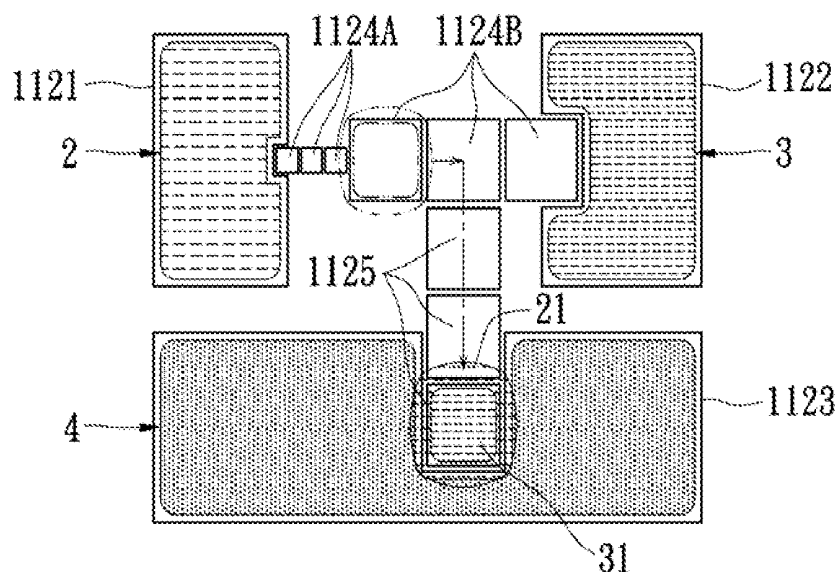


FIG. 8E

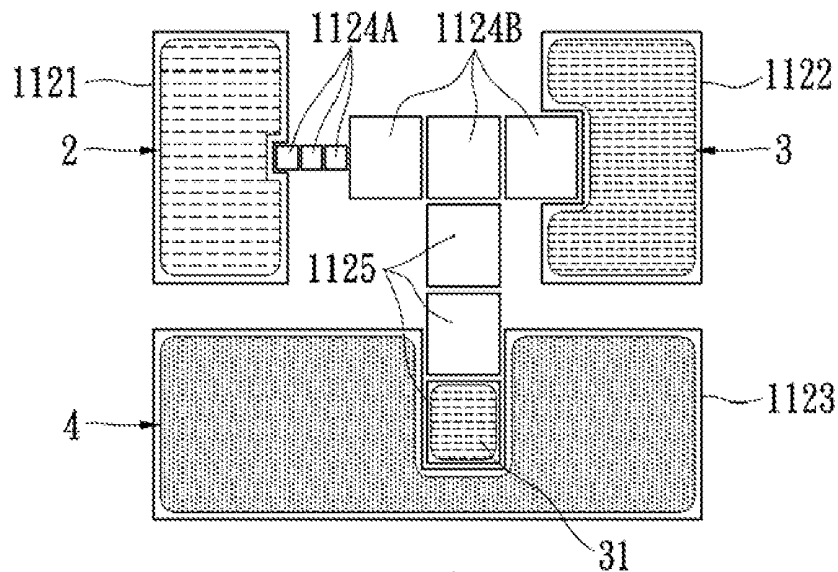


FIG. 8F

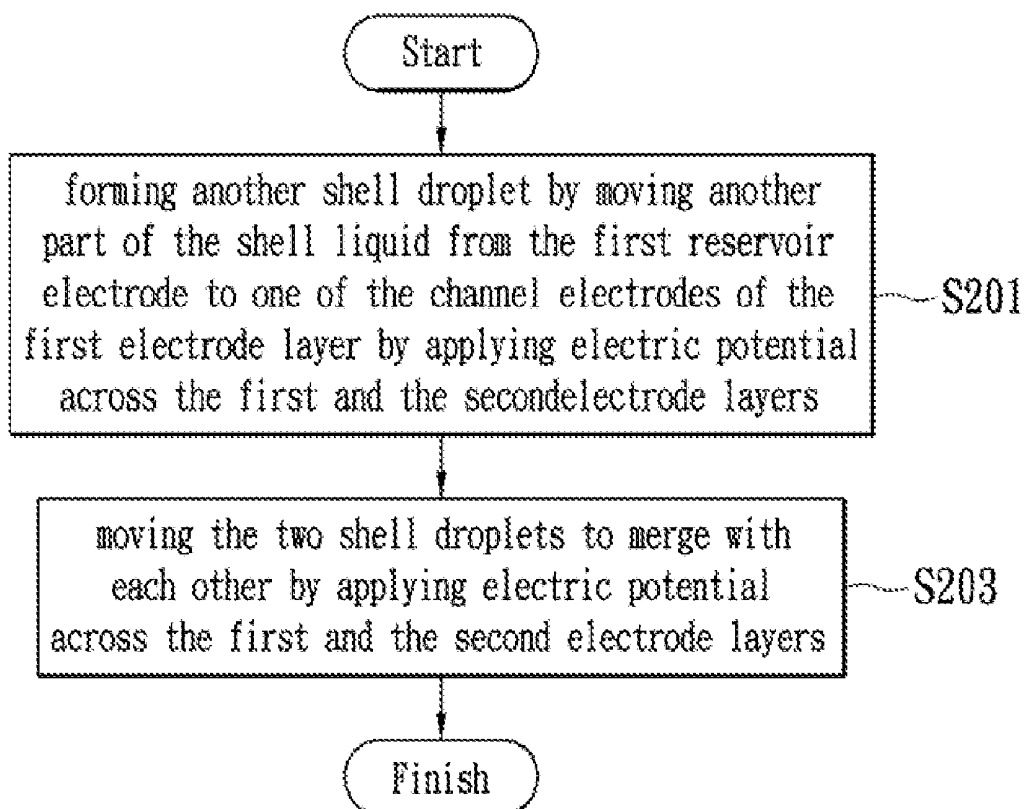


FIG. 9

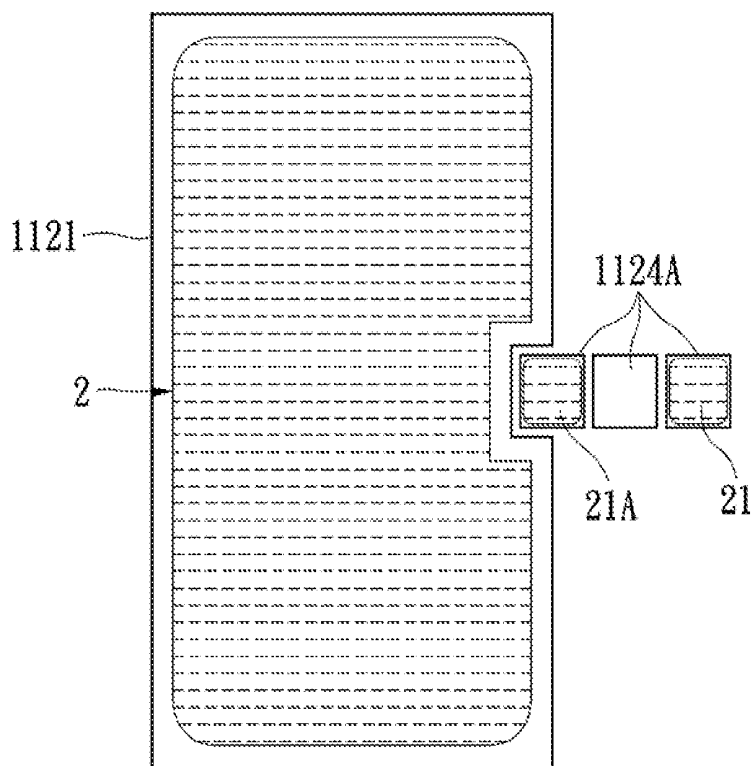


FIG. 10A

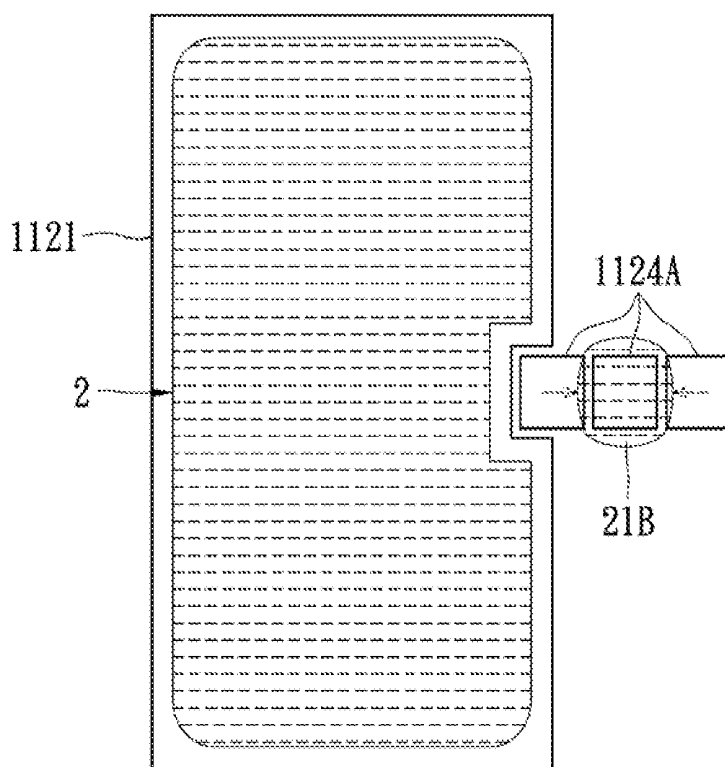


FIG. 10B

MICROFLUIDIC SYSTEM AND METHOD FOR CREATING AN ENCAPSULATED DROPLET WITH A REMOVABLE SHELL

RELATED APPLICATIONS

[0001] This application is a Divisional patent application of co-pending application Ser. No. 12/815,580, filed on 15 Jun. 2010, now pending. The entire disclosure of the prior application, Ser. No. 12/815,580, from which an oath or declaration is supplied, is considered a part of the disclosure of the accompanying Divisional application and is hereby incorporated by reference.

BACKGROUND OF THE INVENTION

[0002] 1. Field of the Invention

[0003] The present invention relates to an encapsulated droplet, in particular, to a microfluidic system and a method for creating an encapsulated droplet with a removable shell.

[0004] 2. Description of Related Art

[0005] The microfluidic system, which is also called the microfluidic chip, now is widely studied and highly valued. It has many advantages, such as, high response rate, high sensitivity, high reproducibility, low cost, and low pollution, so as to be applied to biology, medicine, optoelectronics and other fields.

[0006] For the latest technology of the droplet-based microfluidic system, the volume of the driven droplet has been decreased to the level of sub-micro liter, or even to the level of pico liter. The rapid evaporation is consequently an issue to the shrunk droplets.

[0007] Then, possible solutions to this rapid-evaporation issue include enhancement of packaging and sealing of the microfluidic system or precise control of the environmental humidity and temperature. However, the straight forward solutions may increase the systems cost or limit the applicable situations and environments.

[0008] Therefore, some scholars have proposed the concept of encapsulated droplet by encapsulating the original ease-of-evaporating droplet with another immiscible droplet. For example, the original one is a water droplet; the immiscible one is an oil droplet. The oil droplet will wrap all around the water droplet in order to form an oil shell, preventing the water drop from evaporation. However, making the oil-shell with a controlled and reproducible volume by manually dispensing is difficult.

SUMMARY OF THE INVENTION

[0009] In view of the above-mentioned issues, a microfluidic system and a method for creating an encapsulated droplet with a removable shell are disclosed, in which volume of the encapsulated droplet is able to be precisely controlled, and the shell droplet of the encapsulated droplet is able to be removed if necessary.

[0010] To achieve the above-mentioned objectives, the present invention provides a microfluidic system for creating an encapsulated droplet with a removable shell, which includes a first electrode plate, a second electrode plate and a spacing structure. The first electrode plate has a first substrate and a first electrode layer. The first electrode layer is disposed on a surface of the first substrate. The first electrode layer has a first reservoir electrode, a second reservoir electrode, a third reservoir electrode, a plurality of first channel electrodes being sequent and adjacent to one another, and a plurality of

second channel electrodes being sequent and adjacent to one another. A respective one of the first channel electrodes is adjacent to the first reservoir electrode, while another respective one of those is adjacent to the second reservoir electrode. A respective one of the second channel electrodes is adjacent to the third reservoir electrode, while another respective one of those is adjacent to the first channel electrodes. The first reservoir electrode accommodates a shell liquid, the second reservoir electrode accommodates a core liquid, and the third reservoir electrode accommodates a removing liquid that is able to remove the shell liquid. The second electrode plate has a second substrate and a second electrode layer. The second electrode layer is disposed on a surface of the second substrate and opposite to the first electrode layer. The spacing structure is disposed between the first and the second electrode plates to induce a space formed between the first and the second electrode plates.

[0011] To achieve the above-mentioned objectives, a method for creating an encapsulated droplet with a removable shell is provided. The method includes steps as follows: providing a microfluidic system having a first electrode layer and a second electrode layer opposite to each other; arranging a shell liquid onto a first reservoir electrode of the first electrode layer; arranging a core liquid onto a second reservoir electrode of the first electrode layer; arranging a removing liquid onto a third reservoir electrode of the first electrode layer; moving part of the shell liquid from the first reservoir electrode to one of channel electrodes of the first electrode layer by applying an electric potential across the first and the second electrode layers, so as to form a shell droplet; moving part of the core liquid from the second reservoir electrode to another one of the channel electrodes of the first electrode layer by applying an electric potential across the first and the second electrode layers, so as to form a core droplet; moving the shell droplet and the core droplet to contact each other by applying an electric potential across the first and the second electrode layers, the shell droplet wrapping around the core droplet to form an encapsulated droplet; moving the encapsulated droplet on the channel electrodes to approach the third reservoir electrode by applying an electric potential across the first and the second electrode layers; and removing the shell droplet of the encapsulated droplet by contacting the removing liquid and the encapsulated droplet.

[0012] The present invention further provides a microfluidic system for individually manipulating multiple liquids to create encapsulated droplets. The system includes a first electrode plate, a second electrode plate and a spacing structure. The first electrode plate has a first substrate and a first electrode layer. The first electrode layer is disposed on a surface of the first substrate. The first electrode layer has at least two reservoir electrodes (i.e., first reservoir electrode and second reservoir electrode), and a plurality of first channel electrodes being sequent and adjacent to one another. A respective one of the first channel electrodes is adjacent to one of the reservoir electrodes, while another respective one of those is adjacent to the other reservoir electrode. The first reservoir electrode accommodates a shell liquid, and the second reservoir electrode accommodates a core liquid. The second electrode plate has a second substrate and a second electrode layer. The second electrode layer is disposed on a surface of the second substrate and opposite to the first electrode layer. The spacing structure is disposed between the first and the second electrode plates to induce a space formed between the first and the second electrode plates.

[0013] It is worth mentioning that there are some advantages as follows:

[0014] 1. Each volume of the shell droplet and the core droplet can be determined by the size of the first channel electrode and the distance between the first and second electrode plates, so that the volume thereof can be precisely calculated and experimentally obtained with high predictability and repeatability.

[0015] 2. The shell droplet of the encapsulated droplet can be easily removed by merging it with the removing,

[0016] in order to further understand the techniques, means and effects the present invention takes for achieving the prescribed objectives, the following detailed descriptions and appended drawings are hereby referred, such that, through which, the purposes, features and aspects of the present invention can be thoroughly and concretely appreciated; however, the appended drawings are merely provided for reference and illustration, without any intention to be used for limiting the present invention.

BRIEF DESCRIPTION OF THE DRAWINGS

[0017] FIG. 1 is a cross-sectional view of a microfluidic system for creating an encapsulated droplet with a removable shell in accordance with a preferred embodiment of the present invention;

[0018] FIG. 2 is a top view of a first electrode layer of the microfluidic system in accordance with the preferred embodiment of the present invention;

[0019] FIG. 3 is a top view of a first electrode layer of a microfluidic system in accordance with another embodiment of the present invention;

[0020] FIG. 4 is a top view of a first electrode layer of a microfluidic system in accordance with an additional embodiment of the present invention;

[0021] FIG. 5 is a schematic view illustrating droplets controlled by the microfluidic system in accordance with the preferred embodiment of the present invention;

[0022] FIG. 6 is another schematic view illustrating an encapsulated droplet controlled by the microfluidic system in accordance with the preferred embodiment of the present invention;

[0023] FIG. 7 is a flowchart of a method for creating an encapsulated droplet with a removable shell in accordance with a preferred embodiment of the present invention;

[0024] FIGS. 8A to 8F are schematic views illustrating sequential steps of the method in accordance with the preferred embodiment of the present invention;

[0025] FIG. 9 is a flowchart of a method in accordance with another embodiment of the present invention;

[0026] FIGS. 10A and 10B are schematic views illustrating sequential steps of the method in accordance with the other embodiment of the present invention.

DETAILED DESCRIPTION OF THE PREFERRED EMBODIMENTS

[0027] Referring now to FIGS. 1 and 2, in which a microfluidic system for creating an encapsulated droplet with a removable shell in accordance with a preferred embodiment of the present invention is disclosed. For conciseness of illustration, the "microfluidic system for creating an encapsulated droplet with a removable shell" is called "microfluidic system" for short. The microfluidic system 1 includes a first electrode plate 11, a second electrode plate 12, and a spacing

structure 13. After detailed descriptions for the technical feature of the microfluidic system 1, method for using the microfluidic system 1 will be introduced thereby.

[0028] The first electrode plate 11 includes a first substrate 111, a first electrode layer 112, a dielectric layer 113 and a first hydrophobic layer 114.

[0029] The first substrate 111 can be a rectangular substrate, which is made of glass materials, silicon materials, poly-dimethylsiloxane (PDMS), polyethylene terephthalate (PET), polyethylene naphthalate (PEN), flexible polymer materials or insulating materials. The glass materials would be better selections because the low surface roughness thereof may reduce the driving voltage of the microfluidic system 1.

[0030] The first electrode layer 112 is disposed on a surface, a top surface, of the first substrate 111. The first electrode layer 112 is made of conductive materials, conductive polymeric materials or conductive oxides, such as Cr, Cu metal, PEDOT: PSS (poly(3,4-ethylenedioxythiophene) polystyrenesulfonate) or Indium Tin Oxide (ITO). The first electrode layer 112 includes a plurality of electrodes 1121 to 1125, which are sequent and adjacent to one another. According to their functional or dimensional requirements, the electrodes 1121 to 1125 can be divided into a first reservoir electrode 1121, a second reservoir electrode 1122, a third reservoir electrode 1123, a plurality of first channel electrodes 1124, and a plurality of second channel electrodes 1125.

[0031] The first reservoir electrode 1121 is used for reserving a shell liquid 2 (shown in FIG. 8). The second reservoir electrode 1122 is used for reserving a core liquid 3, which is immiscible to the shell liquid 2 (shown in FIG. 8). The third reservoir electrode 1123 is used for reserving a removing liquid 4, which is able to dissolve the shell liquid 2 but unable to or hard to mix with the core liquid 3 (shown in FIG. 8). The first and second channel electrodes 1124 and 1125 are used for communicating the droplets among the three reservoir electrodes 1121 to 1123.

[0032] The first channel electrodes 1124 could be adjacent to one another in a sequential order, i.e. there would be a gap among them, and be arranged in a horizontal line. Likely, the second channel electrodes 1125 also are adjacent to one another in a sequential order, and arranged in a vertical line. A respective one of the first channel electrodes 1124, the extreme left one, is adjacent to the first reservoir electrode 1121. Another respective one of the first channel electrodes 1124, the extreme right one, is adjacent to the second reservoir electrode 1122. A respective one of the second channel electrodes 1125, the extreme bottom one, is adjacent to the third reservoir electrode 1123. Another respective one of the second channel electrodes 1125, the extreme top one, is adjacent to another respective one of the first channel electrodes 1124, the one next to the extreme right one.

[0033] In accordance with the top view of the channel electrodes, the first channel electrodes 1124 and the second channel electrodes 1125 are arranged in a form of letter "T". With respect to FIGS. 3 and 4, the first channel electrodes 1124 and the second channel electrodes 1125 could also be arranged in forms of letters "E" and "λ".

[0034] With respect to FIG. 2, the top view of each electrode 1121-1125 could be rectangular. Moreover, the dimensions of the first, the second and the third reservoir electrodes 1121-1123 are larger than the dimensions of the first and the second channel electrodes 1124 and 1125. The respective three of the first channel electrodes 1124, which are close to

the first reservoir electrode **1121**, are denoted as **1124A**. Another respective three of the first channel electrodes **1124**, which are close to the second reservoir electrode **1122**, are denoted as **1124B**. The dimension of each first channel electrode **1124A** could be designed to differ from that of each first channel electrode **1124B**. For example, the dimension of each first channel electrode **1124A** is smaller than that of each first channel electrode **1124B**, so as to change the ratio of shell droplet to core droplet of the encapsulated droplet mentioned below.

[0035] Here are descriptions of other components of the microfluidic system **1**. The dielectric layer **113** is disposed on the first electrode layer **112** to cover the electrodes **1121-1125**. The dielectric layer **113** could be made of Parylene, positive photoresist materials, negative photoresist materials, high dielectric constant materials, and low dielectric constant materials.

[0036] The first hydrophobic layer **114** is disposed on the top of the dielectric layer **113** to cover all over the dielectric layer **113**. The first hydrophobic layer **114** is made of hydrophobic materials, such as Teflon, Cytop, and fluoropolymers; and its purpose is to ease the driving of the shell droplet **21** and core droplet **31**, (shown in FIG. **5**), mentioned below. The first hydrophobic layer **114** is also called a low friction layer, because of to coefficient of friction between the fluid and itself, so that the fluid can easily flow over the first hydrophobic layer **114**.

[0037] The above description is for the first electrode plate **11**, and here is description for the second electrode plate **12**. The second electrode plate **12** is disposed over and parallel to the first electrode plate **11**. The second electrode plate **12** has a second substrate **121**, a second electrode layer **122** and a second hydrophobic layer **123**.

[0038] Similarly, the second substrate **121** is a rectangular substrate, which could be also made of glass materials, silicon materials, PDMS, PET, PEN, flexible polymer materials or isolating materials. The glass materials could be better selections due to the low surface roughness thereof, which may reduce the driving voltage of the microfluidic system **1**.

[0039] The second electrode layer **122** is disposed on a surface, a bottom surface, of the second substrate **121**, and is opposite to the first electrode layer **112**. The second electrode layer **122** is made of conductive materials, conductive, polymeric materials or conductive oxides, such as Cr, Cu, PEDOT: PSS, metal or ITO.

[0040] The second hydrophobic layer **123** is disposed on the bottom of the second electrode layer **122** to cover all over the second electrode layer **122**. The second hydrophobic layer **123**, similar to the first hydrophobic layer **114**, is made of hydrophobic materials, such as Teflon, Cytop, and fluoropolymers, for easing the driving of the shell droplet **21** and core droplet **31** (shown in FIG. **5**, mentioned below). The second hydrophobic layer **123** could be also called it low friction layer.

[0041] The above description is for the second electrode plate **12**, and here is description for the spacing structure **13**. The spacing structure **13** is disposed between the first and the second electrode plates **11, 12** to induce a space **14** formed between the first and the second electrode plates for accommodating liquid. The spacing structure **13** may be a continuous frame structure or several separated pillar structures.

[0042] The fluid in the microfluidic system **1** is controlled through physical phenomena, such as Dielectrophoresis (DEP), Electrowetting-on-dielectric (EWOD), in accordance

with the properties of the liquid, such as dielectric fluid or conductive fluid. Usually, dielectric fluid is non-polar liquids; the conductive fluid is polar liquids. If the liquid is a dielectric fluid, it may be driven by the phenomenon of DEP. If the liquid is a conductive fluid, the liquid may be driven by the phenomenon of EWOD or DEP.

[0043] With respect to FIGS. **5** and **6**, more details regarding how the microfluidic system **1** controls the fluid or droplet and creates the encapsulated droplet are described below. A shell droplet **21** and a core droplet **31** are taken as an example.

[0044] The shell droplet **21** is a dielectric fluid, such as an oil droplet, arranged in the space **14** and on a respective one of the first channel electrodes **1124A**. The core droplet **31** is a conductive fluid, such as a water droplet, arranged in the space **14** and on a respective one of the first channel electrodes **1124B**. The shell droplet **21** and the core droplet **31** are individually surrounded by environmental fluid, such as air.

[0045] With respect to FIG. **5**, a direct current (DC) is applied between the second electrode layer **122** and a respective one of the first channel electrodes **1124A**, which is just at the right hand side of the shell droplet **21**. Due to the difference of the dielectric constant between the shell droplet **21** and the air, different electric forces on the interface will generate a pressure difference, which leads the shell droplet **21** to move toward the right hand side. The phenomenon is called DEP. An alternating current (AC) is applied between the second electrode layer **122** and a respective one of the first channel electrodes **1124B**, which is just at the left hand side of the core droplet **31**. Due to the decrease of the contact angle between the core droplet **31** and the dielectric layer and/or hydrophobic layer, a pressure difference is generated so as to lead the core droplet **31** to move forward the left-hand side, where the liquid pressure is smaller. The phenomenon is called EWOD.

[0046] FIG. **6** illustrates the encapsulated droplet, which is formed by the core droplet **31** wrapped in the shell droplet **21** spontaneously due to different surface tensions when they contact. Because the encapsulated droplet possesses dielectric and conductive fluids, DEP and EWOD would be chosen for the movement of the encapsulated droplet. The EWOD phenomenon is selected to implement in the preferred embodiment. Moreover, the core droplet **31** in FIG. **5** can also be driven through the DEP phenomenon, which is usually induced by a DC signal. However, the DEP phenomenon can also be induced by an AC signal.

[0047] Referring to FIGS. **7** and **8**, a method for creating an encapsulated droplet with a removable shell according to a preferred embodiment of the present invention is described below, which is performed by the microfluidic system **1** mentioned above.

[0048] Referred in step S101: a microfluidic system **1** is provided, and a shell liquid **2**, a core liquid **3** and a removing liquid **4** are selected to use in the microfluidic system **1**. The shell liquid **2** and the core liquid **3** may be respectively dielectric fluid and conductive fluid depending on the specific function that the microfluidic system **1** meets. In this embodiment, the dielectric fluid, such as silicone oil, which is beneficial to the biomedical field very well, is selected as the shell liquid **2**; the conductive fluid, such as water, is selected as the core liquid **3**; and the volatile solvent, such as Hexane, which can mix with and dissolve the silicone oil very well, is selected as the removing liquid.

[0049] Referred in steps S103 to S107: shown in FIG. **8A**, the shell liquid **2** is arranged in the space **14** and on the first

reservoir electrode **1121**, the core liquid **3** is arranged in the space **14** and on the second reservoir electrode **1122**, and the removing liquid **4** is arranged in the space **14** and on the third reservoir electrode **1123**. Proper electric potentials are applied to the first, second and the third reservoir electrodes **1121**, **1122** and **1123** to hold liquid **2**, **3**, and **4** thereon respectively.

[0050] Referred in step **S109**: shown in FIG. **8B**, the electric potential is applied to the second electrode layer **122** and a respective one of the first channel electrodes **1124A**, which is closest to the first reservoir electrode **1121**. Part of the shell liquid **2** can be moved by DEP to the one of the first channel electrodes **1124A**, to which electric potential is applied, so as to form a shell droplet **21**.

[0051] Referred in step **S111**: shown in FIG. **8C**, the electric potential is applied to the second electrode layer **122** and a respective one of the first channel electrodes **1124B**, which is closest to the second reservoir electrode **1122**. Part of the core liquid **3**, can be moved by EWOD to the one of the first channel electrodes **1124B**, to which electric potential is applied, so as to form a core droplet **31**.

[0052] Referred in step **S113**: shown in FIGS. **8D** and **5**, the electric potential is applied to the first channel electrodes **1124A** and the second electrode layer **122**: and the electric potential is applied to the first channel electrodes **1124B** and the second electrode layer **122**. Therefore, the shell droplet **31** and the core droplet **21** move respectively on the first channel electrodes **1124A** and **1124B** so as to contact or merge with each other. The shell droplet **21** wraps around the core droplet **31** to form an encapsulated droplet.

[0053] Referred in step **S115**: shown in FIG. **8E**, the electric potential is applied to the second channel electrodes **1125** and the second electrode layer **122**, so as to move the encapsulated droplet on the second channel electrodes **1125** until it approaches the third reservoir electrode **1123**.

[0054] Referred in step **S117**: shown in FIG. **8F**, the removing liquid **4** on the third reservoir electrode **1123** contacts the shell droplet **21** of the encapsulated droplet. The removing liquid **4** mixes with the shell liquid **21**, and dissolves the shell liquid **21**, so that the encapsulated droplet is returned to the core droplet **31**. Then, the electric potential is applied to the second channel electrodes **1125** and the second electrode layer **122** again, making the core droplet **31** leave the third reservoir electrode **1123** to one of the second channel electrodes **1125**. A part of the removing liquid **4** is also moved to the second channel electrode **1125** with core droplet **31**, and wraps around the core droplet **31**. However, the removing liquid **4** evaporates in a short period of time, leaving the core droplet **31** alone on the second channel electrode **1125**.

[0055] The procedures of steps **S101** to **S117** can be adjusted. For example, the step **S107** can be set following the step **S115**, and the step **S109** can be set following the step **S111**. The result of the adjusted steps is as same as the previous one.

[0056] Moreover, after the step **S113**, a second shell droplet (not shown) can be further formed, to be immiscible with the shell droplet **21**. The second shell droplet contacts the encapsulated droplet to create a second shell thereon. To repeat this step, the encapsulated droplet could have multiple shells thereon.

[0057] By the method of creating the encapsulated droplet, the volume of shell droplet **21** or the core droplet **31** can be calculated precisely. The volume is obtained in response to the dimension of each first channel electrode **1124A**, **1124B**

and the distance between the first and the second electrode plates **11** and **12**. When the dimension of each first channel electrode **1124A** and **1124B** is larger, the volume of the shell droplet **21** and the core droplet **31** become greater.

[0058] In addition to increasing the dimension of the first channel electrodes **1124A** and **1124B**, the volume of the shell droplet **21** and the core droplet **31** could be increased further by the steps mentioned below. With respect to FIGS. **9** and **10**, the shell droplet **21** is taken as an example.

[0059] Referred in step **S201**: with respect to FIG. **10A**, the shell droplet **21** has been formed on a respective one of the first channel electrodes **1124A**, which is remote from the first reservoir electrode **1121**. Then electric potential is applied to the second electrode layer **122** and another respective one of the first channel electrodes **1124A**, which is close to the first reservoir electrode **1121**. Another partial part of the shell liquid **2** can move to the first channel electrode **1124A**, to which the electric potential is applied, so as to form another shell droplet **21A**.

[0060] Referred in step **S203**: with respect with FIG. **10B**, the electric potential is applied to the first channel electrodes **1124A** and the second electrode layer **122**. Then the two shell droplets **21** and **21A** move on the first channel electrode **1124A** to contact each other. The two shell droplets **21**, **21A** merge with each other to create a larger shell droplet **21B**.

[0061] After the step **S203**, the step **S113** may be performed to form the encapsulated droplet having a larger quantitative shell droplet **21B**. Moreover, it is noteworthy that the steps **S201** and **S203** can be repeated more than once, so as to further increase the volume of shell droplet **21B**.

[0062] Here are descriptions for real applications of the microfluidic system **1**, such as extraction, purification, protein crystallization, and artificial cell membrane formation. Take extraction for instance, while the user injects the blood sample into the shell liquid **2**, the core liquid **3** attracts a specific molecule of the blood sample. When the shell droplet **21** containing the specific molecule of the blood sample contacts the core droplet **31** to create an encapsulated droplet, the specific molecule of the blood sample will move into the core droplet **31**. After the shell droplet **21** is removed by the removing liquid **4**, the core droplet **31** only includes one specific molecule of the blood sample, so as to achieve the extraction. In addition, the volume of the shell droplet **21** and the core droplet **31** could be calculated, so that the concentration of the extracted molecule is calculated thereby.

[0063] Take purification for instance, while the user injects the blood sample into the core liquid **3**, the shell liquid **2** attracts a specific molecule of the blood sample. When the core droplet **31** containing the specific molecule of the blood sample contacts the shell droplet **21** to create an encapsulated droplet, the specific molecule of the blood sample will be moved into the shell droplet **21**. After the shell droplet **21** is removed by the removing liquid **4**, the core droplet **31** would not include the specific molecule of the blood sample, so as to achieve the purification.

[0064] Take protein crystallization for instance, while the user injects the protein molecules into the core liquid **3**, the core droplet **31** merges with the shell droplet **21** to create an encapsulated droplet including the protein molecules. Because the vaporization velocity of core droplet **31** could be controlled in the encapsulated droplet, which is adjusted by the types and volume of the shell droplet **21**, the protein crystal growth and nucleation would be controlled in accor-

dance with the vaporization velocity. Therefore, the protein molecules arrange in order slowly for crystallization.

[0065] Take artificial cell membrane formation for instance, while the user injects lipid molecules into the core liquid **3** or the shell liquid **2**, the core droplet **31** merges with the shell droplet **21** to create an encapsulated droplet with a monolayer of lipid molecules self-assembled at the core-shell liquid interface. When contact two or more encapsulated droplets, artificial cell membrane(s) can be formed between two encapsulated droplets.

[0066] Other embodiments of the microfluidic system **1** are detailed below. If the shell liquid **2** or the core liquid **3** possesses sufficient hydrophobic property or surface energy, or the dielectric layer **113** and the second electrode layer **122** are hydrophobic to the shell liquid **21** or the core liquid **3**, the first hydrophobic layer **114** and the second hydrophobic **123** are not necessary to be set.

[0067] Moreover, if the shell liquid **21** and the core liquid **31** are both controlled through the DEP phenomenon, and the dielectric property of the shell liquid **2** and the core liquid **3** has met usage requirements, the dielectric layer **113** are not necessary to be set.

[0068] Moreover, the second electrode layer **122** may include individual sequential electrodes, and the dimension and arrangement of each electrode would correspond to the electrodes **1221** to **1225** of the first electrode layer **112**.

[0069] Furthermore, the shell liquid **2** and the core liquid **3** could be the conductive fluid or polar liquid. For example, the shell liquid **2** can be high-carbon aliphatic alcohol, such as octanol or decanol alcohol, while the core liquid **2** is water.

[0070] In conclusion, it is worth mentioning that there are some advantages as follows:

[0071] 1. Each volume of the shell droplet **21** and the core droplet **31** is determined in response to the size of the first channel electrode **1124** and the distance between the first and second electrode plates **11, 12**, so that the volume thereof can be calculated precisely and obtained with high predictability and repeatability.

[0072] 2. The shell droplet **21** of the encapsulated droplet can be easily removed by merging with the removing liquid **4**.

[0073] The above-mentioned descriptions represent merely the preferred embodiment Of the present invention, without any intention to limit the scope of the present invention thereto. Various equivalent changes, alternations or modifications based on the claims of present invention are all consequently viewed as being embraced by the scope of the present invention.

What is claimed is:

1. A microfluidic system for creating an encapsulated droplet with a removable shell comprising:

a first electrode plate having a first substrate and a first electrode layer, the first electrode layer being disposed on a surface of the first substrate, the first electrode layer having a first reservoir electrode, a second reservoir electrode, a third reservoir electrode, a plurality of first channel electrodes being sequent and adjacent to one another, and a plurality of second channel electrodes being sequent and adjacent to one another, one of the

first channel electrodes being adjacent to the first reservoir electrode, another one of the first channel electrodes being adjacent to the second reservoir electrode, one of the second channel electrodes being adjacent to the third reservoir electrode, another one of the second channel electrodes being adjacent to the first channel electrodes, the first reservoir electrode being used for accommodating a shell liquid, the second reservoir electrode being used for accommodating a core liquid, and the third reservoir electrode being used for accommodating a removing liquid capable of removing the shell liquid;

a second electrode plate having a second substrate and a second electrode layer, the second electrode layer being disposed on a surface of the second substrate and opposite to the first electrode layer; and

a spacing structure disposed between the first and the second electrode plates, wherein a space is formed between the first and the second electrode plates.

2. The microfluidic system according to claim **1**, wherein the shell liquid or the core liquid is a dielectric fluid.

3. The microfluidic system according to claim **1**, wherein the shell liquid or the core liquid is a conductive fluid.

4. The microfluidic system according to claim **1**, wherein the first electrode plate includes a dielectric layer disposed on the first electrode layer.

5. The microfluidic system according to claim **4**, wherein the first electrode plate includes a hydrophobic layer disposed on the dielectric layer.

6. The microfluidic system according to claim **1**, wherein the second electrode plate includes a hydrophobic layer disposed on the second electrode layer.

7. The microfluidic system according to claim **1**, wherein the first channel electrodes and the second channel electrodes are arranged in forms of letters "T", "λ" or "E".

8. The microfluidic system according to claim **1**, wherein the first and the second substrates are made of glass materials.

9. A microfluidic system for creating an encapsulated droplet with a removable shell comprising:

a first electrode plate having a first substrate and a first electrode layer, the first electrode layer being disposed on a surface of the first substrate, the first electrode layer having a first reservoir electrode, a second reservoir electrode, a plurality of first channel electrodes being sequent and adjacent to one another, one of the first channel electrodes being adjacent to the first reservoir electrode, another one of the first channel electrodes being adjacent to the second reservoir electrode, the first reservoir electrode being used for accommodating a shell liquid, the second reservoir electrode being used for accommodating a core liquid;

a second electrode plate having a second substrate and a second electrode layer, the second electrode layer being disposed on a surface of the second substrate and opposite to the first electrode layer; and

a spacing structure disposed between the first and the second electrode plates, wherein a space is formed between the first and the second electrode plates.

* * * * *