

## The minimum noise figure and mechanism as scaling RF MOSFETs from 0.18 to 0.13 $\mu\text{m}$ technology nodes

C. H. Huang<sup>1</sup>, K. T. Chan<sup>1</sup>, C. Y. Chen<sup>1</sup>, Albert Chin<sup>1</sup>, G. W. Huang<sup>2</sup>, C. Tseng<sup>3</sup>, V. Liang<sup>3</sup>, J. K. Chen<sup>3</sup> and S. C. Chien<sup>3</sup>

<sup>1</sup>Dept. of Electronics Eng., National Chiao Tung Univ., Hsinchu, Taiwan

<sup>2</sup>National Nano Device Lab, Hsinchu, Taiwan

<sup>3</sup>United Microelectronics Cooperation, Hsinchu, Taiwan

**Abstract** — As scaling down the RF MOSFET from 0.18 to 0.13  $\mu\text{m}$  technology nodes, the  $f_T$  increases but the  $NF_{\min}$  becomes worse by increasing  $\sim 0.2$  dB. A small  $NF_{\min}$  of 0.93 dB is measured at 5.8 GHz in 0.18  $\mu\text{m}$  MOSFET using 50 fingers but increases as either increasing or decreasing finger number. This abnormal dependence and higher noise at 0.13  $\mu\text{m}$  is accurately analyzed by equivalent circuit model and due to the combined gate resistance and substrate effect.

### I. INTRODUCTION

The performance improvement and circuit area reduction are the driving force for continuously scaling down the MOSFET into RF frequency regime [1]-[2]. However, it is not clear if the RF noise can also be continuously improved as scaling down the MOSFET [1]. Next, the dominant noise sources in RF MOSFET are still not quite understood and the optimized device layout for achieving minimum noise figure ( $NF_{\min}$ ) is also unclear. In this paper, we have studied the RF MOSFETs scaled from 0.18 to 0.13  $\mu\text{m}$  technology nodes. The scaling gives better RF power gain and  $f_T$ . However, we have found that the scaling did not give better  $NF_{\min}$  but increasing by  $\sim 0.2$  dB at the same gate width. We have used the well calibrated equivalent circuit model to analyze such abnormal effect and the multi-fingered layout to optimize the  $NF_{\min}$ . The  $NF_{\min}$  decreases with increasing gate finger to a small value of 0.93 dB at 5.8 GHz using 50 fingers layout in 0.18  $\mu\text{m}$  MOSFETs. Similar decreasing  $NF_{\min}$  with increasing gate finger is also found using 0.13  $\mu\text{m}$  technology node. However, we have measured another abnormal increase of  $NF_{\min}$  when increasing gate finger  $>50$  in 0.18  $\mu\text{m}$  device. From our equivalent circuit model analysis, the decreasing  $NF_{\min}$  with increasing gate finger is due to the decreasing thermal noise generated by non-quasi-static gate resistance ( $R_{g-nqs}$ ) [2] that is due to the delayed turn-on in gate electrode. The thermal noise generated by  $R_{g-nqs}$  is also the primary noise source in RF MOSFETs. The abnormal  $NF_{\min}$  increase at  $>50$  fingers is due to the increasing parasitic shunt RC pass to substrate and modeled by  $Z_{g-sub}$ . This is the fundamental limitation

of RF technology on high conductivity Si substrates [3]-[6] and is especially important for passive transmission lines and inductors. The small increasing  $NF_{\min}$  as scaling down from 0.18 to 0.13  $\mu\text{m}$  technology node is also due to the increased  $R_{g-nqs}$  because of the smaller gate area and larger resistance as scaling down. Therefore, the scaling below 0.13  $\mu\text{m}$  technology node may further degrade the RF noise unless a modified T-gate structure is used.

### II. EXPERIMENTAL PROCEDURE

The RF MOSFETs using 0.18 and 0.13  $\mu\text{m}$  technology nodes are studied in this work. In addition to the low resistance silicide gate technology, the multi-fingered gate layout can further reduce the gate resistance by connecting in parallel. The finger width is 5  $\mu\text{m}$  and the finger number is ranged from 20 to 70 at an increment of 10. The devices are characterized by DC I-V and 2-port S-parameters using HP8510C network analyzer from 300 MHz to 30 GHz. Then regular de-embedding procedure is followed to eliminate the parasitic effect of probe pad. The  $NF_{\min}$  and associate gain are measured using standard ATN-NP5B Noise Parameter Extraction System up to 7.2 GHz that covers the most important frequency range for wireless communication. The extraction of dominate RF noise sources were performed by using an equivalent circuit model of intrinsic MOSFET with additional terminal resistance and shunt pass to ground at both input and output ports. To avoid non-physically based data in the equivalent circuit model, DC and low frequency data are measured and referred in circuit model.

### III. RESULTS AND DISCUSSION

#### A. Measured $NF_{\min}$ in RF MOSFETs used for circuit:

Fig. 1 shows the circuit schematic of a typical two-stage low noise amplifier (LNA) [7]. From the RF circuit theory, the noise of the whole LNA is determined by the MOSFET in the first stage. Therefore, the choosing

proper MOSFET to have a lowest  $NF_{min}$  is the key factor for LNA.

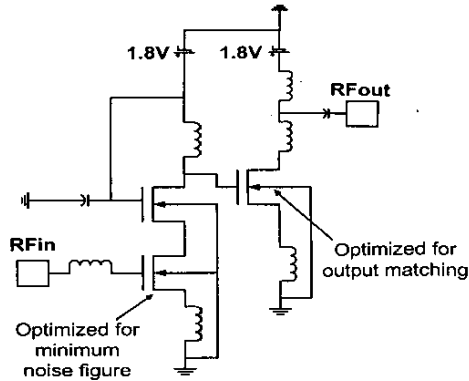


Fig. 1. The schematic of a two stage LNA. The MOSFET at first stage determines the minimum noise in LNA.

Fig. 2 shows the measured  $NF_{min}$  for RF MOSFETs at 0.18 and 0.13  $\mu\text{m}$  technology nodes. The measured  $NF_{min}$  shows a general trend of decreasing RF noise with increasing the gate finger for MOSFETs in both technology nodes. A small  $NF_{min}$  of 0.93 dB is measured at 5.8 GHz using 50 gate fingers in 0.18  $\mu\text{m}$  case, which shows the excellent noise performance at such high frequency and can be used for wireless LAN application. However, the  $NF_{min}$  increases by  $\sim 0.2$  dB as scaling down from 0.18 to 0.13  $\mu\text{m}$  technology node, which is opposite to the scaling trend. In addition, an abnormal increase of  $NF_{min}$  is observed as gate fingers increasing  $> 50$  in 0.18  $\mu\text{m}$  case.

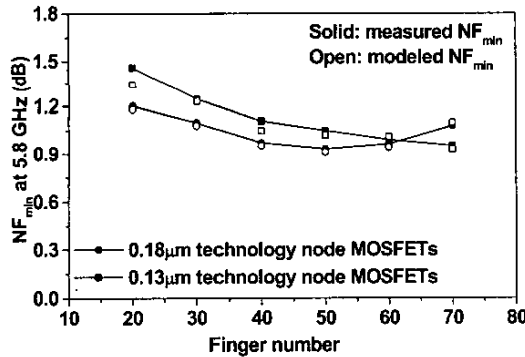


Fig. 2. The measured  $NF_{min}$  of RF MOSFETs at 0.18 and 0.13  $\mu\text{m}$  technology nodes. The scaling from 0.18 to 0.13  $\mu\text{m}$  technology gives a worse  $NF_{min}$ . An abnormal increase of  $NF_{min}$  at gate finger  $> 50$  is also observed in 0.18  $\mu\text{m}$  case. The modeled data is from the equivalent circuit model in Fig. 7.

It is noticed that the measured  $NF_{min}$  of MOSFET at 0.13  $\mu\text{m}$  node is comparable with the data published in the literature by IBM [1]. Therefore, the increasing  $NF_{min}$  in 0.13  $\mu\text{m}$  case may be intrinsic to device physics rather than the different technology among different companies.

Fig. 3 shows the associated gain measured at 5.8 GHz under  $NF_{min}$  condition. A decreasing trend of associated gain with increasing gate finger is measured for both MOSFETs using 0.18 and 0.13  $\mu\text{m}$  technology nodes. Therefore, the decreasing RF noise in Fig. 1 is traded off by the decreasing associated gain. The reason why such decreasing associated gain is explained by following relation derived from equivalent model [2]:

$$G \propto \left| \frac{g_m}{j\omega C_{gd}} \right| \quad (1)$$

Although the decreasing RF noise is achieved by decreasing  $R_{g-nqs}$  using parallel gate fingers, the increasing finger number also increases the undesired  $C_{gd}$  that decreases the associated gain.

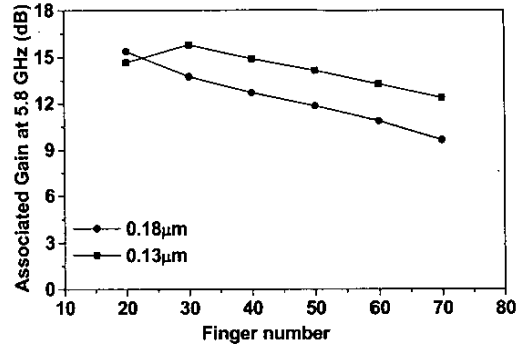


Fig. 3. The associated gain measured at 5.8 GHz under  $NF_{min}$  condition for RF MOSFETs at 0.18 and 0.13  $\mu\text{m}$  technology nodes. The scaling from 0.18 to 0.13  $\mu\text{m}$  gives higher associated gain but increasing finger number decreases the associated gain.

The increasing gate finger for achieving lower RF noise is also traded off the decreasing  $f_T$ . Fig. 4 shows the  $f_T$  of MOSFETs using 0.18 and 0.13  $\mu\text{m}$  technology nodes. The scaling from 0.18 to 0.13  $\mu\text{m}$  technology improves the  $f_T$  to  $\sim 100$  GHz that shows the good device performance. It is noticed that the  $f_T$  decreases as increasing the number of gate fingers, which can be understood by following relation [2]:

$$f_T = \frac{g_m}{2\pi(C_{gs} + C_{gd})} \frac{1}{\sqrt{1 - \left( \frac{g_m R_{g-nqs} - C_{gd}}{C_{gs} + C_{gd}} \right)^2}} \quad (2)$$

The increasing finger number improves the RF noise but also increases the parallel  $C_{gd}$  that decreases the  $f_T$ .

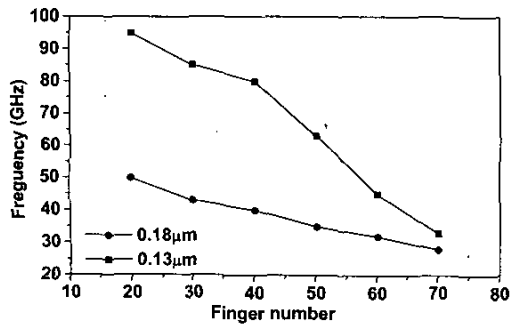


Fig. 4. The finger number dependent  $f_T$  of RF MOSFETs using 0.18 and 0.13  $\mu\text{m}$  technology nodes. The increasing finger number decreases the  $f_T$ .

The large gate finger number layout in RF MOSFET not only achieves a lower RF noise but also has better output matching. Fig. 5 shows the  $S_{22}$  of MOSFETs at 0.13  $\mu\text{m}$  nodes. The increasing gate finger shifts the measured  $S_{22}$  and pushes the output resistance of MOSFET (by extending the  $S_{22}$  to low frequency) close to 50  $\Omega$ . This is important to choose the proper transistor layout at second stage of LNA shown in Fig. 1.

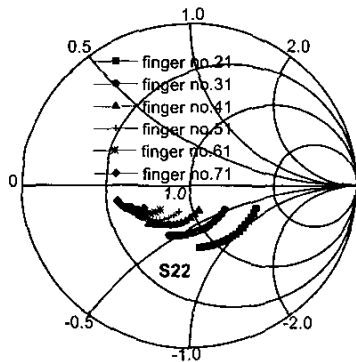


Fig. 5. The measured  $S_{22}$  of RF MOSFETs in 0.13  $\mu\text{m}$  nodes. The increasing finger number shifts the output resistance of  $S_{22}$  and close to the desired 50  $\Omega$ .

#### B. $NF_{min}$ analysis using self-consistent model of S-parameter & $NF_{min}$ :

To further analyze the RF noise, we have developed a self-consistent model for both S-parameter and  $NF_{min}$ . Figs. 6(a) and 6(b) show the measured and modeled S-

parameters using the model shown in Fig. 7. Good matching between measured and modeled S-parameters and DC I-V (not shown) are obtained for RF MOSFETs in 0.13  $\mu\text{m}$  nodes with the smallest 20 and largest 70 gate fingers. The good agreement between measured and modeled data is also obtained in other gate fingers of MOSFETs using both 0.13 and 0.18  $\mu\text{m}$  technologies.

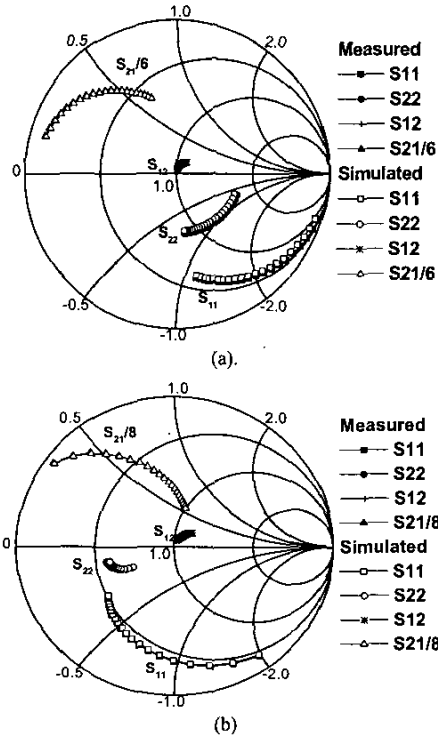


Fig. 6. The measured and simulated S-parameters of RF MOSFETs with (a) the smallest 20 fingers and (b) largest 70 fingers using 0.13  $\mu\text{m}$  technology node. The  $S_{21}$  in (a) and (b) is divided by 6 and 8 respectively, to fit in the Smith chart.

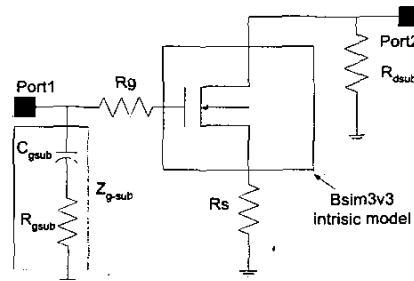


Fig. 7. The self-consistent model for DC I-V, S-parameters and  $NF_{min}$ .

Using the same model, we have further simulated the  $NF_{\min}$  self-consistently with S-parameter and DC I-V. Figs. 8(a) and 8(b) show the measured and modeled  $NF_{\min}$ . The good agreement between measured and modeled  $NF_{\min}$  in Fig. 8 and other gate fingers and technology nodes in Fig. 2 indicates the good accuracy of the self-consistent model. Using the well-calibrated model, we have further analyzed the main noise source in MOSFETs. The  $R_{g-nqs}$  generates the dominate thermal noise in RF MOSFETs, which decreases as increasing parallel finger numbers. The  $R_{g-nqs}$  also increases with decreasing gate length from 0.18 to 0.13  $\mu\text{m}$  nodes, which explains the abnormal increasing  $NF_{\min}$  and opposites to the scaling trend. The next important noise source is from the shunt pass of  $Z_{g-sub}$ . The increasing  $Z_{g-sub}$  with increasing parallel gate fingers in 0.18  $\mu\text{m}$  case will the abnormal increasing  $NF_{\min}$  when gate finger  $> 50$  as shown in Fig. 2. The  $Z_{g-sub}$  represents the RF signal loss to shunt pass to ground, which has been identified as the primary RF technology challenge for circuits on current VLSI technology using low resistivity Si substrates [3]-[6].

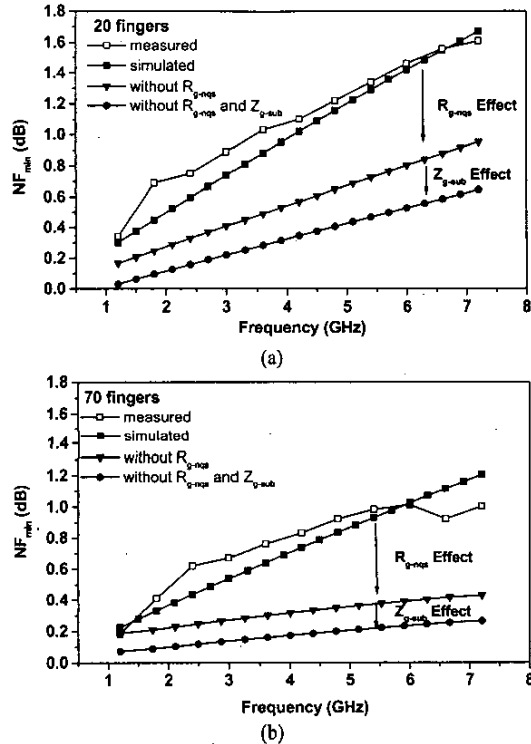


Fig. 8. The measured and simulated  $NF_{\min}$  of RF MOSFETs with (a) the smallest 20 fingers and (b) largest 70 fingers using 0.13  $\mu\text{m}$  technology. Good agreement is obtained for all other gate fingers and also for 0.18  $\mu\text{m}$  case.

#### IV. CONCLUSIONS

The abnormal  $NF_{\min}$  increases as scaling the MOSFET from 0.18 to 0.13  $\mu\text{m}$  nodes has been identified by the increasing  $R_{g-nqs}$ . The abnormal increasing  $NF_{\min}$  of 0.18  $\mu\text{m}$  MOSFETs at gate finger  $> 50$  is modeled by the increasing shunt pass loss to ground. Unless a T-gate MOSFET structure is used similar to III-V RF FET, the increasing gate resistance with continuous scaling is the fundamental limitation of RF noise in MOSFETs.

#### ACKNOWLEDGEMENT

We would like to thank D. C. Nio at National Chung-Chen Science Research Inst. This work has been supported by NSC (90-2215-E-009-044).

#### REFERENCES

- [1] N. Zamdmer, A. Ray, J.-O. Plouchart, L. Wagner, N. Fong, K. A. Jenkins, W. Jin, P. Smeys, I. Yang, G. Shahidi, and F. Assaderaghi, "A 0.13- $\mu\text{m}$  SOI CMOS technology for low-power digital and RF applications," *VLSI Tech. Symp. Dig.*, pp. 85-86, June 2001.
- [2] Y. H. Wu, A. Chin, C. S. Liang, and C. C. Wu, "The performance limiting factors as RF MOSFETs scaling down," *IEEE RF-IC International Microwave Symp. Dig.*, pp. 151-154, June 2000.
- [3] K. T. Chan, A. Chin, C. M. Kwei, D. T. Shien, and W. J. Lin, "Transmission line Noise from Standard and Proton-Implanted Si," *IEEE MTT-S International Microwave Symp. Dig.*, pp. 763-766, June 2001.
- [4] Y. H. Wu, A. Chin, K. H. Shih, C. C. Wu, S. C. Pai, C. C. Chi, and C. P. Liao, "RF loss and cross talk on extremely high resistivity (10K-1M $\Omega$ -cm) Si fabricated by ion implantation," *IEEE MTT-S International Microwave Symp. Dig.*, pp. 221-224, June 2000.
- [5] K. T. Chan, A. Chin, Y. B. Chan, T. S. Duh and W. J. Lin, "Integrated antenna on Si, proton-implanted Si and Si-on-Quartz," *International Electron Devices Meeting (IEDM) Tech. Dig.*, pp. 903-906, Dec. 2001.
- [6] K. T. Chan, C. Y. Chen, A. Chin, J. C. Hsieh, J. Liu, T. S. Duh, and W. J. Lin, "40-GHz Coplanar Waveguide Bandpass Filters on Silicon Substrate," *IEEE Wireless & Microwave Components Lett.* 23, no. 11, pp. 429-431, 2002.
- [7] D. K. Shaeffer and T. H. Lee, "A 1.5V, 1.5 GHz CMOS Low Noise Amplifier," *Symp on VLSI Circuit Dig.*, pp. 32-33, June 1996.